


ZSE2-2 (Order no. 052449)

ZSE, 3-stage

- ▶ 3-stage function
- ▶ 30.5 mm installation dimension
- ▶ Suitable for installation in hand-held pendant stations
HBL or housing G2 or G3, for example



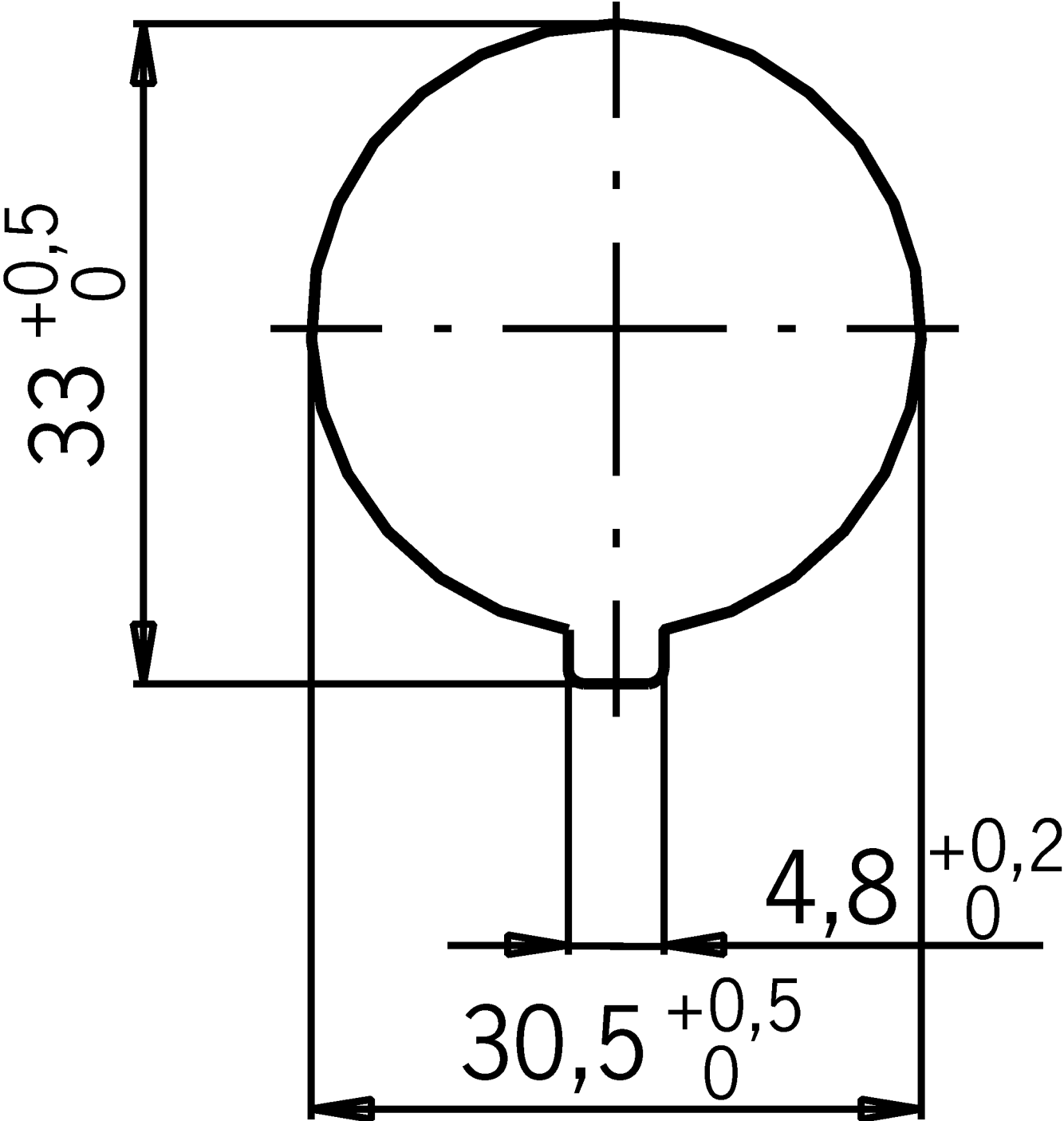
Switching element

210 2 NO + 1 NC 

3-stage function

Enabling function is active only in the second stage (center position, actuating point). If the pushbutton is released or pushed further (panic function), the enabling is removed (dependent on the wiring, see function sequence).

Dimensional drawings



Dimensional drawings

