

## ZSR2A2G05A (Order no. 055427)

### ZSR, housing G2, 3-stage, with cable

- ▶ 3-stage function
- ▶ Housing G2
- ▶ Straight connecting cable, 5 m
- ▶ Including holder



### Switching element

210 2 NO + 1 NC  $\rightarrow$

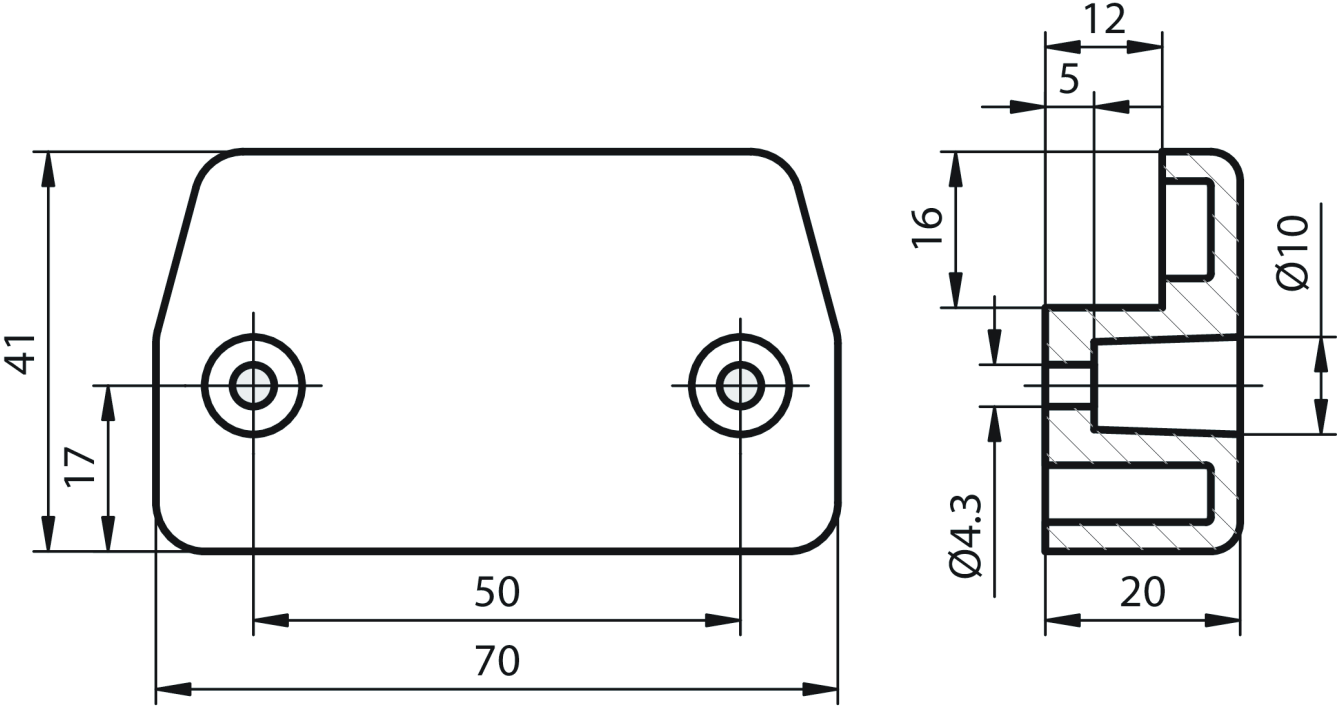
### Cable

The high-quality connecting cables (individual screening of the safety contacts) are available in a straight version.

### 3-stage function

Enabling function is active only in the second stage (center position, actuating point). If the pushbutton is released or pushed further (panic function), the enabling is removed (dependent on the wiring, see function sequence).

Dimensional drawings



**Dimensional drawings**

