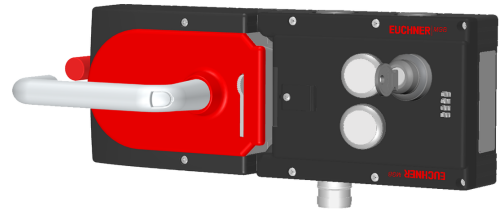


## MGB-L1HE-ARA-L-157851 (Order no. 157851)

### Locking set MGB-L1HE-ARA... (guard locking by spring force) with 2 pushbuttons, key-operated rotary switch, RC18

- ▶ Guard locking with guard lock monitoring
- ▶ Can be connected in series with other AR devices (e.g. CES-AR and CET-AR)
- ▶ Key-operated rotary switch (form L, 90°)
- ▶ 2 pushbuttons (illuminated)
- ▶ With lens set, 6 pcs.
- ▶ With plug connector RC18
- ▶ With escape release
- ▶ Unicode
- ▶ Only numbered connecting cables may be used.



#### Guard locking type

MGB- The locking arm is held in the locked position by spring force and is unlocked by solenoid force  
 L1... (closed-circuit current principle, mechanically locked).

#### Door hinge

A mechanical door stop is permanently integrated into the evaluation module of the MGB. A marking on the stop makes adjustment easier.

#### LED indicator

The LED indicator indicates all important system and status information.

#### Monitoring outputs

- OT Bolt tongue inserted into the evaluation module
- OL Guard locking solenoid in locked position
- OI Diagnostics; there is a fault

#### Key-operated rotary switch

S1 Key-operated rotary switch with 2 positions (form L, 90°). The key latches in both positions and can be removed in both positions.

#### Pushbuttons

- S2 1 NO contact, illuminated
- S3 1 NO contact, illuminated

#### Lens set

The color of the pushbuttons can be selected using the color cover set included (5 colors). Item no.: 120344 (see Accessories)

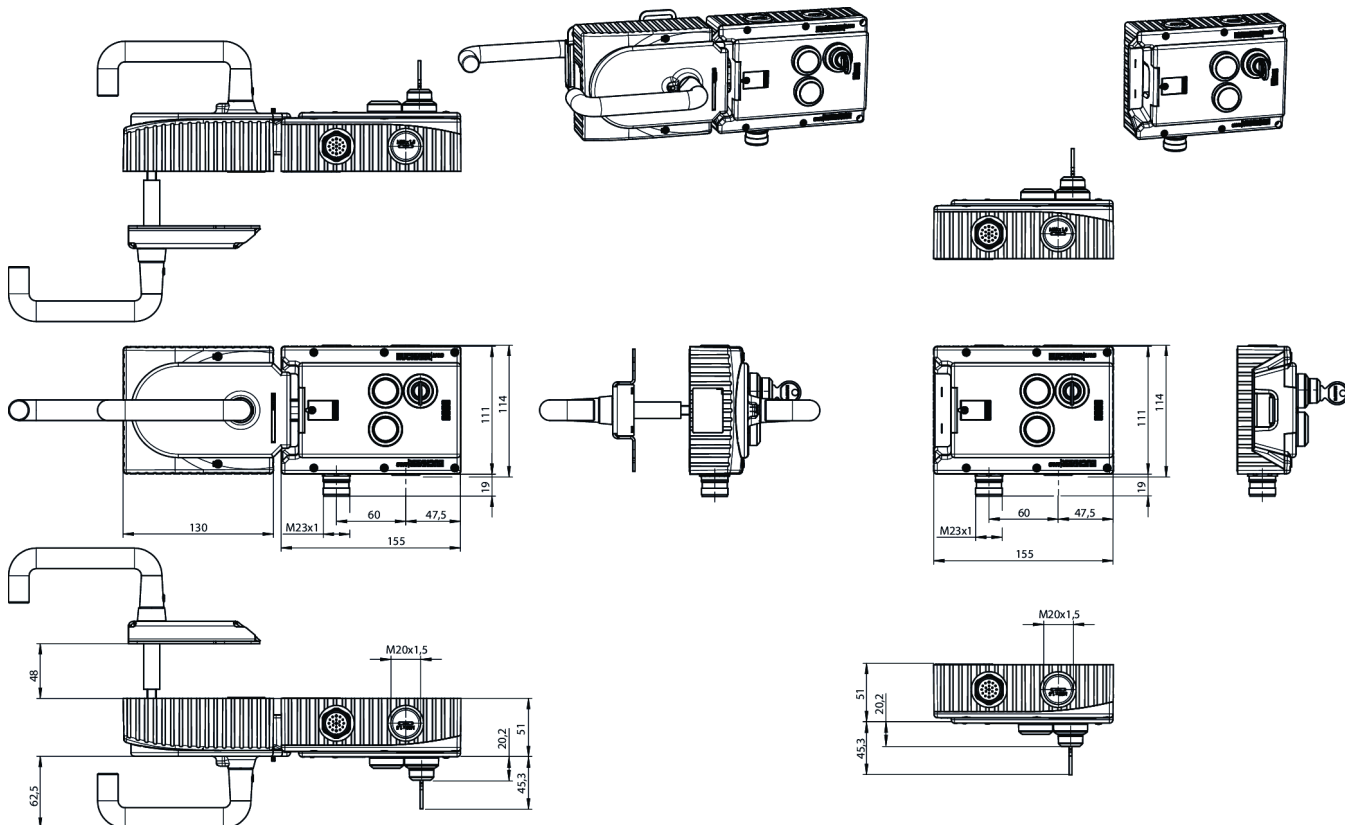
## Escape release

The escape release enables people accidentally shut in to open the guard locked door from the danger zone.

## Notice

Only numbered connecting cables may be used for this MGB set. (See Accessories)

## Dimensional drawings



Dimensional drawings

