

RC-12P1N8A8300 CODIERT (Order no. 073291)

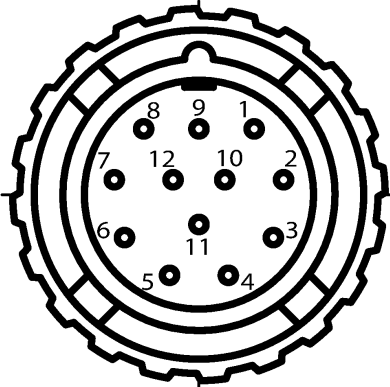
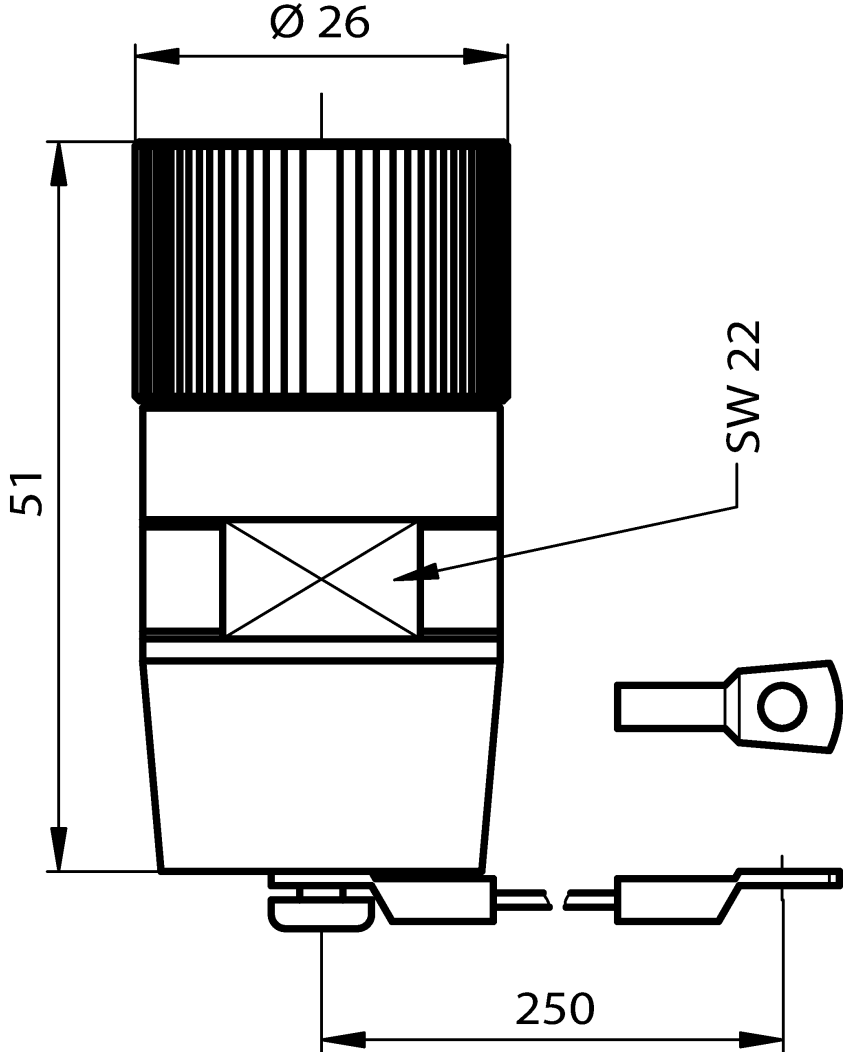
Blanking plug RC12 for covering the flange connector RC12, coded



Blanking plug RC12

For covering the flange connector RC12. Optionally, the customer can fit bridges to the individual contacts or use a pre-wired version (coded). Coding: bridge from pin 1 to pin 2 and from pin 9 to pin 10.

Dimensional drawings



Technical data

Electrical connection values

Connection cross section	0.14 ... 0.56 mm ²
Rated voltage	150 V
Rated current I	8000 mA (per contact at 25 °C)
Screen connection	via housing connection

Mechanical values and environment

Connection type	enclosed	Crimp contacts
Connection type		Male plug
Plug connector designation		RC12
Storage temperature		-25 ... 125 °C
Cable outlet		not available
Cable diameter		not available
Number of pins		12
Degree of protection		IP67
Plug lock		M23x1 Screw connection
Ambient temperature		-20 ... 125 °C
Material	Plug housing	Metal

Miscellaneous

Additional information	Flexible wires included
------------------------	-------------------------