

ESH-PRO-20A-1205 (Order no. 095894)

Safety hinge ESH

- ▶ Safety hinge with integrated safety function
- ▶ Ideal use with hinged doors
- ▶ Suitable for profile mounting
- ▶ Connection via plug connector M12



Important:

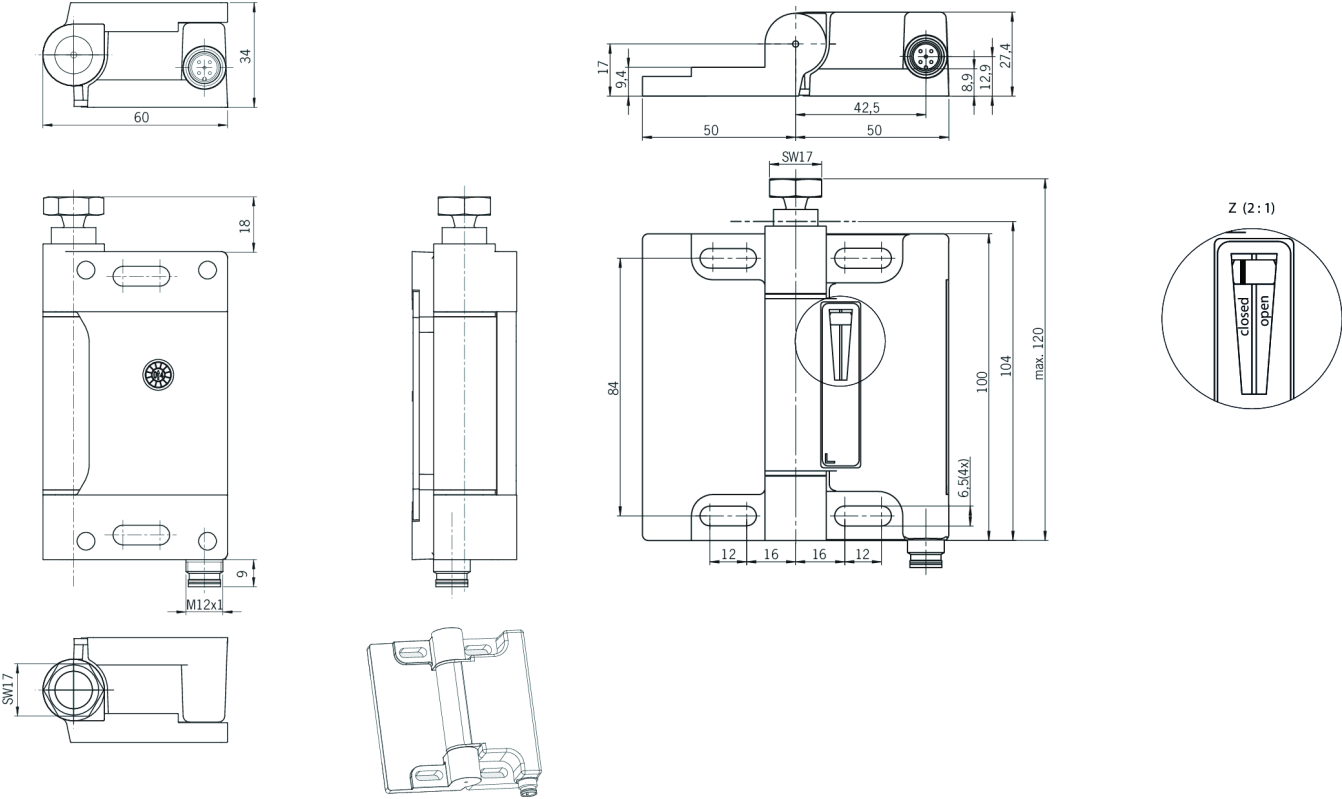
The safety hinges ESH are safety devices for monitoring movable guards, such as doors or covers on machinery or systems.

During mounting the axes of the hinges used must be exactly aligned.

Switching element

20 Snap-action switching contact 2NC 

Dimensional drawings



Connection examples

