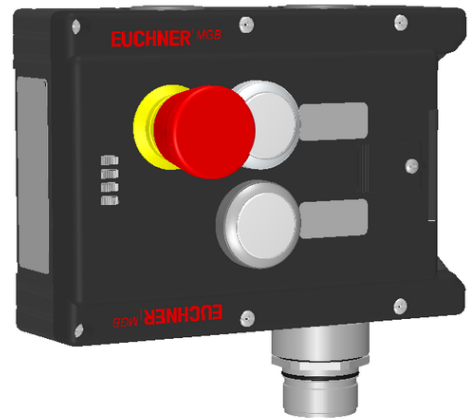


## MGB-L1-ARA-AM3A1-S6-R-121208 (Order no. 121208)

### Locking module MGB-L1-ARA..., (guard locking by spring force) with 2 pushbuttons, emergency stop, incl. label carrier, RC26

- ▶ Guard locking with guard lock monitoring
- ▶ Can be connected in series with other AR devices (e.g. CES-AR and CET-AR)
- ▶ Emergency stop according to ISO 13850
- ▶ 2 pushbuttons (illuminated)
- ▶ With lens set, 6 pcs.
- ▶ incl. adhesive labels
- ▶ With plug connector RC26
- ▶ Unicode



### Guard locking type

MGB- The locking arm is held in the locked position by spring force and is unlocked by solenoid force  
L1... (closed-circuit current principle, mechanically locked).

### Door hinge

A mechanical door stop is permanently integrated into the evaluation module of the MGB. A marking on the stop makes adjustment easier.

### LED indicator

The LED indicator indicates all important system and status information.

### Monitoring outputs

- OD ON when the door is closed
- OT Bolt tongue inserted into the evaluation module
- OL Guard locking solenoid in locked position
- OI Diagnostics; there is a fault

### Emergency stop device

S1 2 positively driven contacts and 1 NO contact (e.g. monitoring contact), emergency stop with turn-to-reset, not illuminated

### Pushbuttons

- S2 1 NO contact, illuminated
- S3 1 NO contact, illuminated

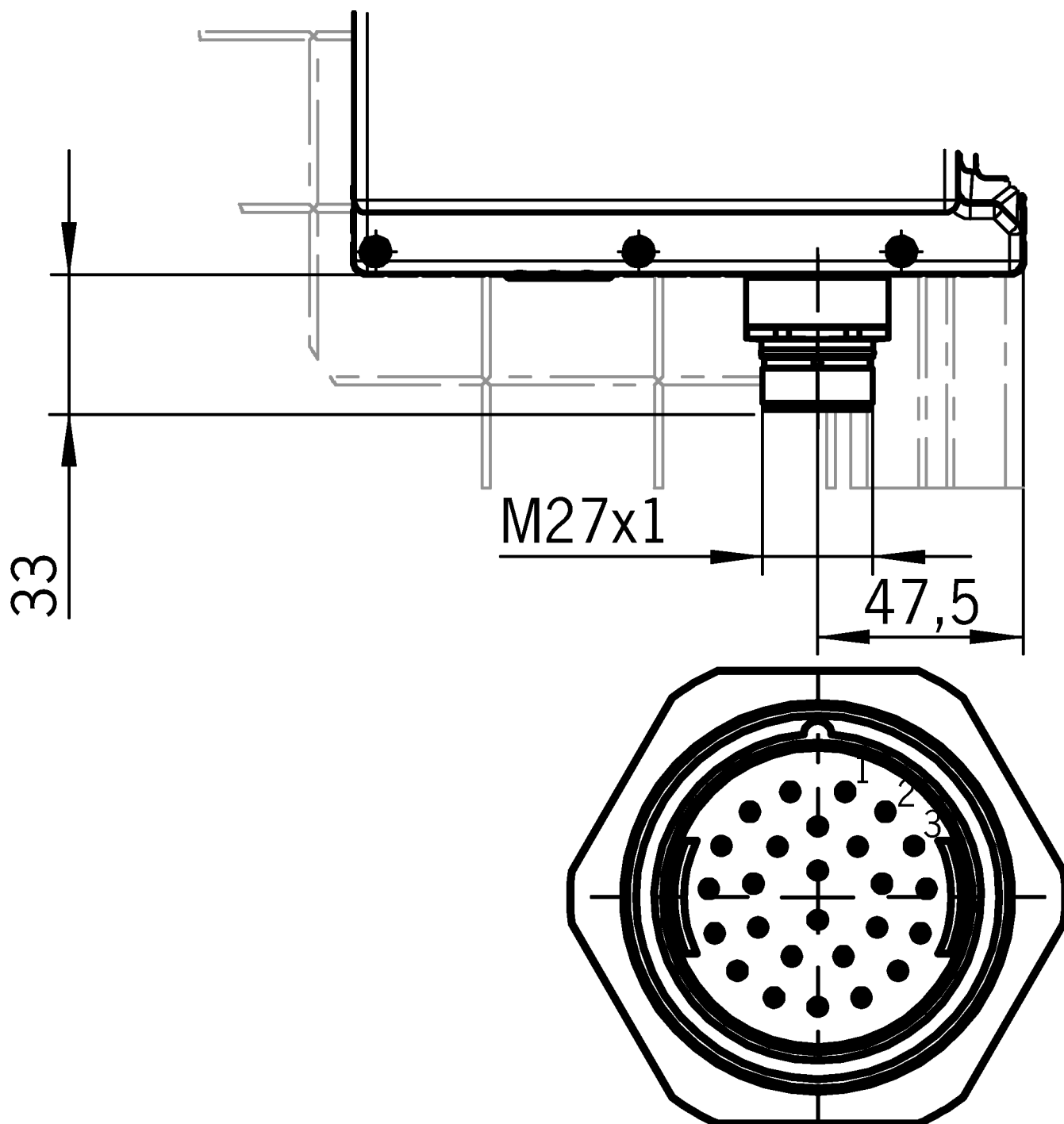
## Lens set

The color of the pushbuttons can be selected using the color cover set included (5 colors). Item no.: 120344 (see Accessories)

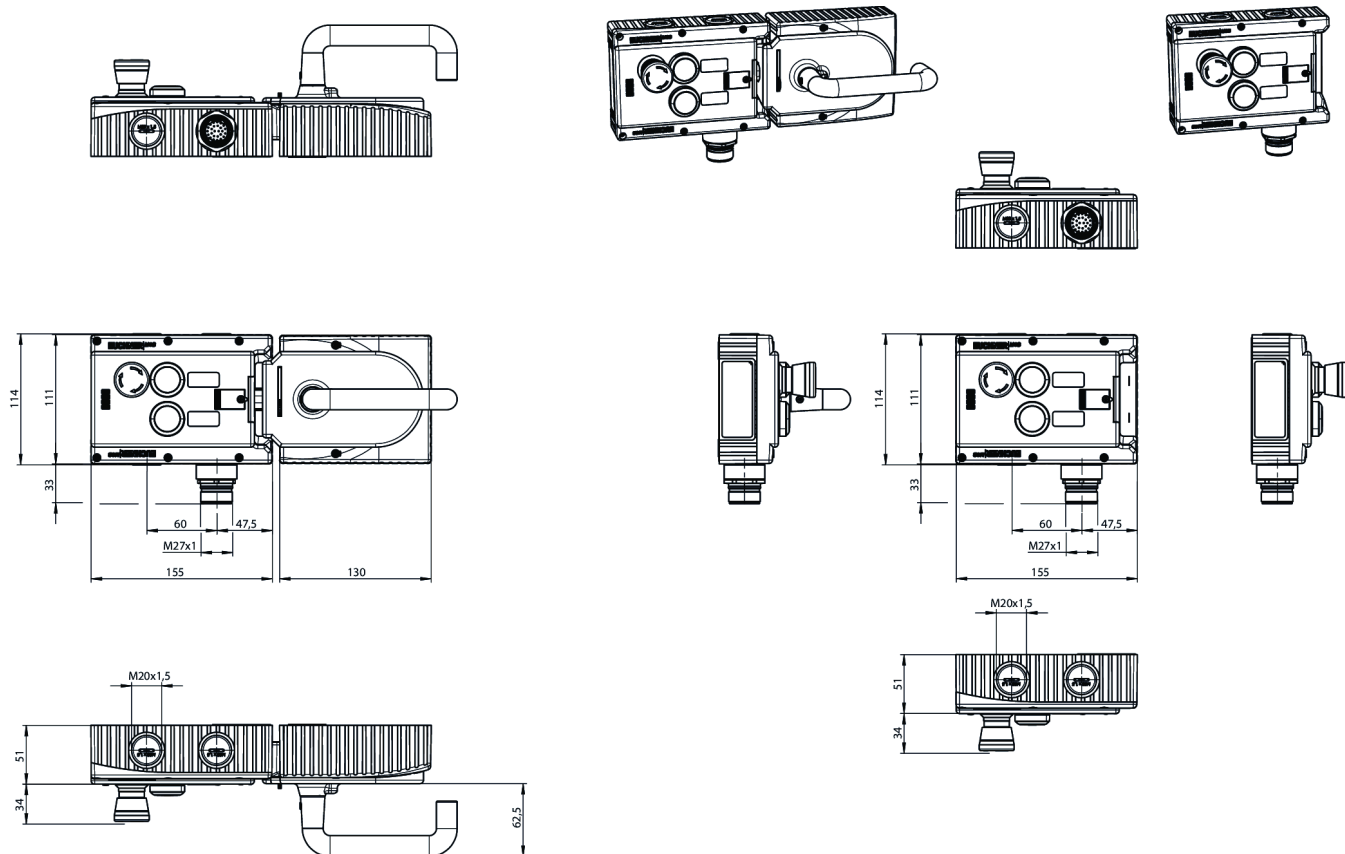
## Adhesive labels

Devices with adhesive labels have pre-formed recesses. The adhesive labels enclosed (standard size 12.5 x 27 mm) can be affixed in these recesses.

## Dimensional drawings



## Dimensional drawings



## Connection examples

