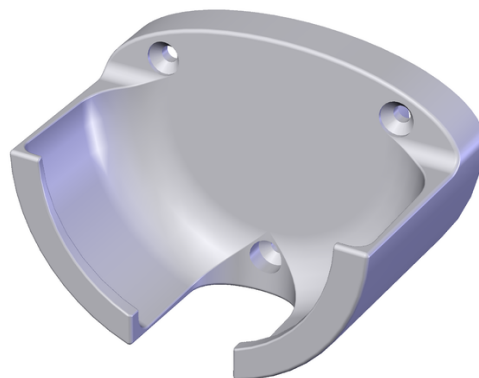


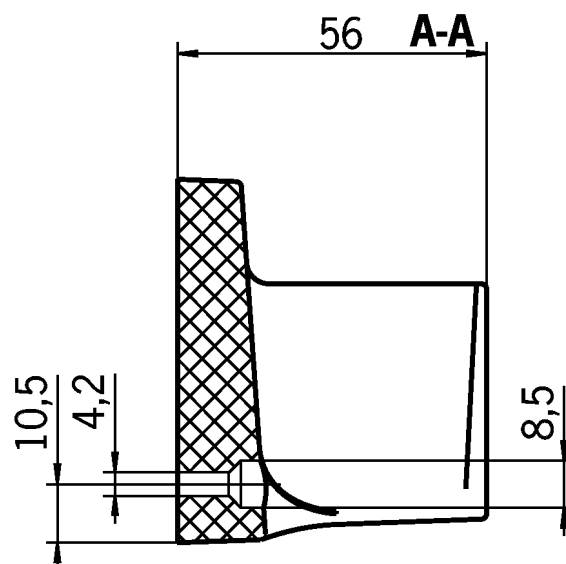
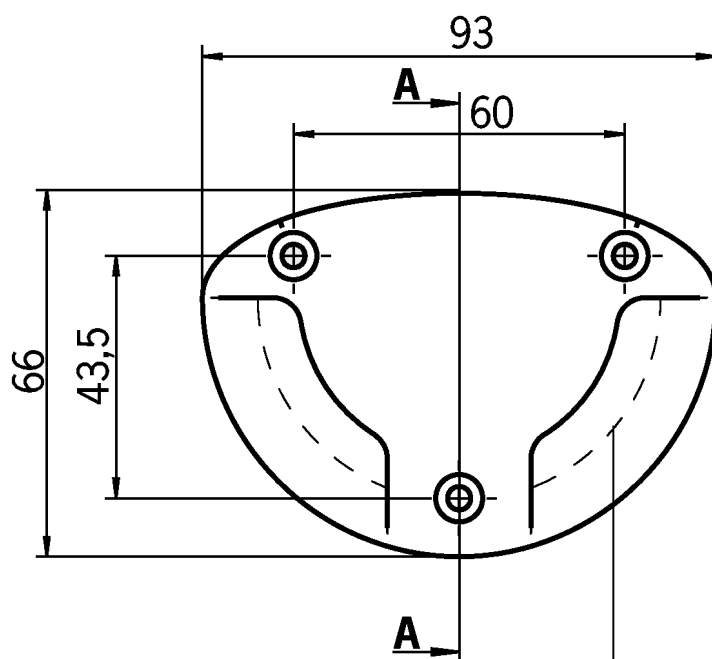
HALTER HBA M (Order no. 072935)

Holder for HBA

- ▶ Plastic holder
- ▶ gray
- ▶ Handwheel can be operated in the holder



Dimensional drawings



Technical data

Mechanical values and environment

Storage temperature	-25 ... 70 °C
Mounting type	Screws (Screws included)
Material	
	Housing Polycarbonate

Miscellaneous

Color	gray
Additional feature	enlarged handwheel cut-out

Downloads

All documentation for this material can be found on our website:

<https://www.euchner.de/en-us/a/072935/?#downloads-tab>