

NG1FO-510-M (Order no. 079911)

Position switch NG.FO, spring actuator

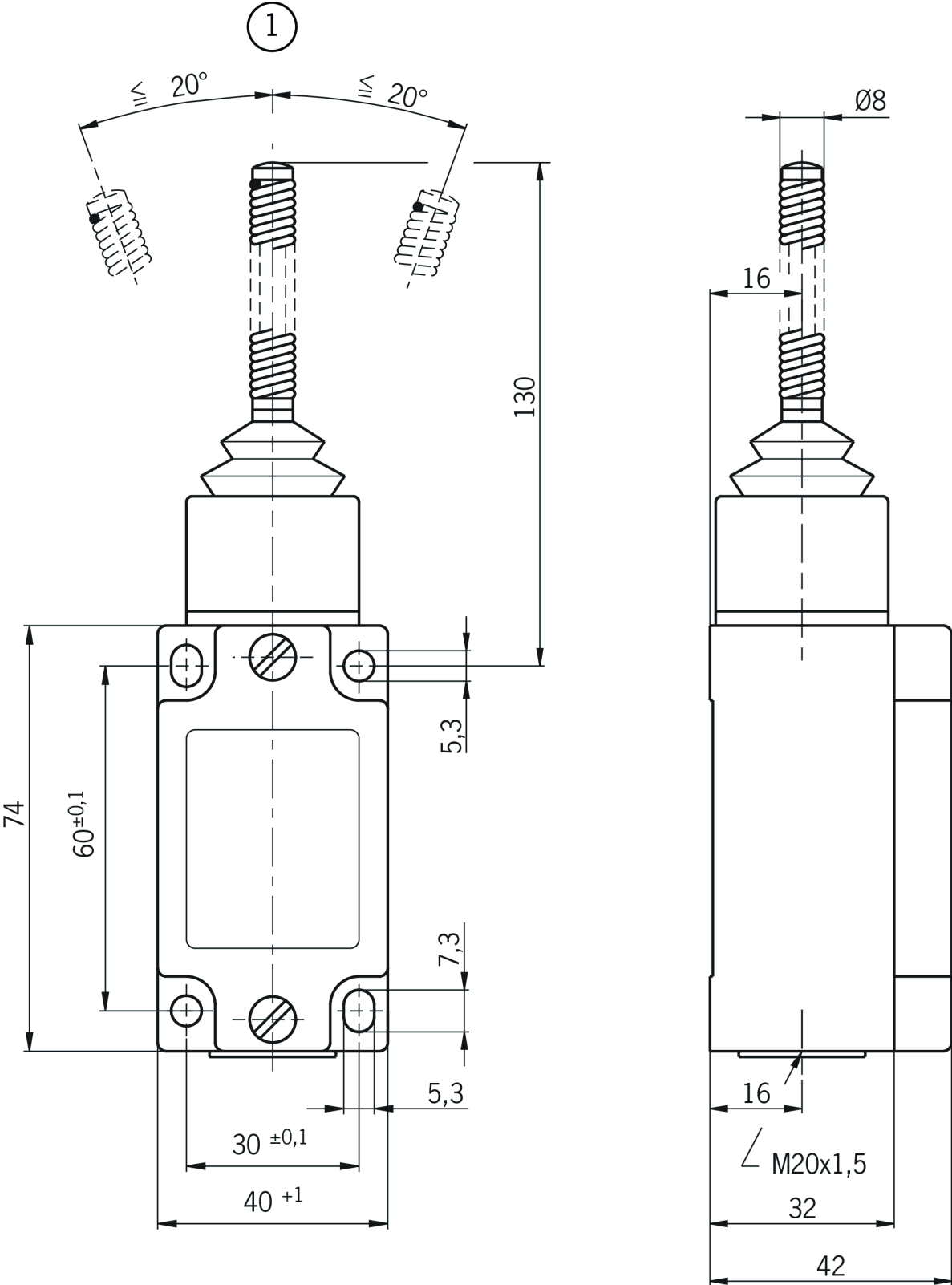
- ▶ Spring actuator FO
- ▶ Cable entry M20 x 1.5
- ▶ Actuating direction: all sides



Switching element

510 Snap-action switching contact 1 NC + 1 NO

Dimensional drawings



1 Operating point

Connection examples

