

GSBF05D08-552-M (Order no. 085986)

Series GSBF... 8 mm, mechanical

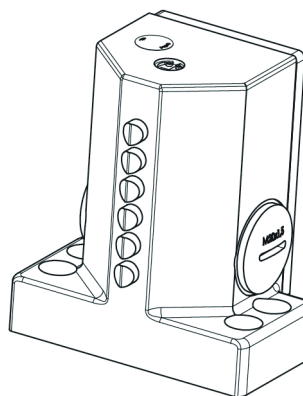
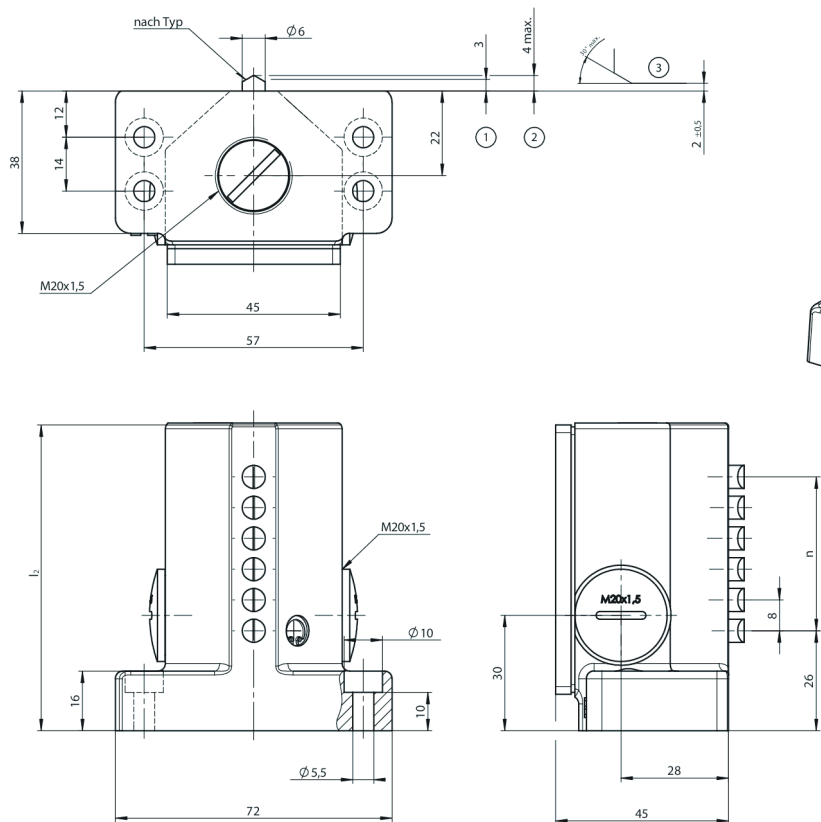
- ▶ Plunger spacing 8 mm
- ▶ Upright housing
- ▶ Degree of protection IP67 according to IEC 60529



Switching element

ES 552 Snap-action switching contact 1 changeover contact standard switching element

Dimensional drawings



20	192
18	176
16	160
14	144
12	128
10	112
8	96
6	80
5	80
4	64
3	64
2	48
n Anzahl der Stoessel	l ₂

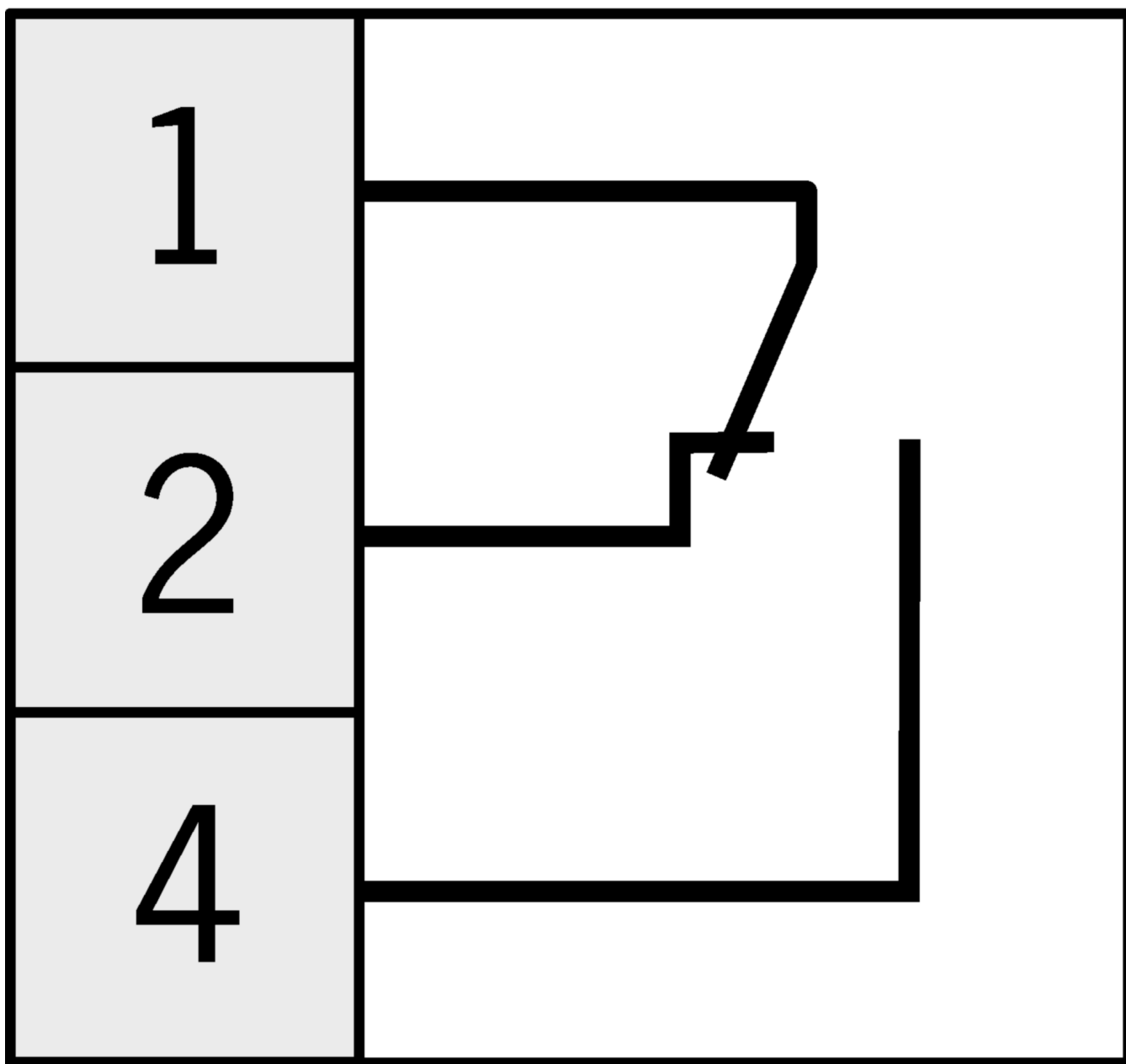
1 Operating point

2 Free position

3 Dog

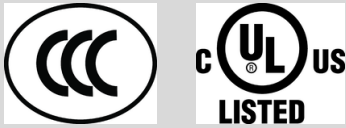
Connection examples

ES 552



Technical data

Approvals



Electrical connection values

Fuse	max. 6 A gG	
Connection cross section	0.14 ... 1.0 mm ²	
Rated insulation voltage U _i	250 V	
Rated impulse voltage U _{imp}	2.5 kV	
Utilization category		
	AC-15	2 A 230 V
	DC-13	2 A 24 V
Switching current		
	min. at DC 24V	min. 10 mA
thermal rated current I _{th}	6 A	

Mechanical values and environment

Anfahrsgeschwindigkeit	0.01 ... 20 m/min	
Connection type		
	3 x	M20 x 1.5
Number of switching elements	5	
Number of changeover contacts	5	
Tightening torque		
	Screw terminal	max. 0.2 Nm Hexagon socket AF 1.3 mm
Design	upright	
Actuating element	Chisel plunger (Operating point accuracy ± 0.02. The reproducible operating point accuracy refers to the axial travel of the plunger after the switching element ES 552 has been run-in with approx. 2,000 operating cycles.)	
Actuating force	min. 15 N	
Installation orientation	any	