

## N1ARL508-M (Order no. 087147)

### Single limit switch N1ARL, extended roller plunger, cable entry M16 x 1.5

- ▶ Extended roller plunger, steel roller  $\varnothing$  18 mm
- ▶ Housing according to DIN 43693
- ▶ 2 x cable entry M16 x 1.5
- ▶ 1 pos. driven contact



### Approach direction



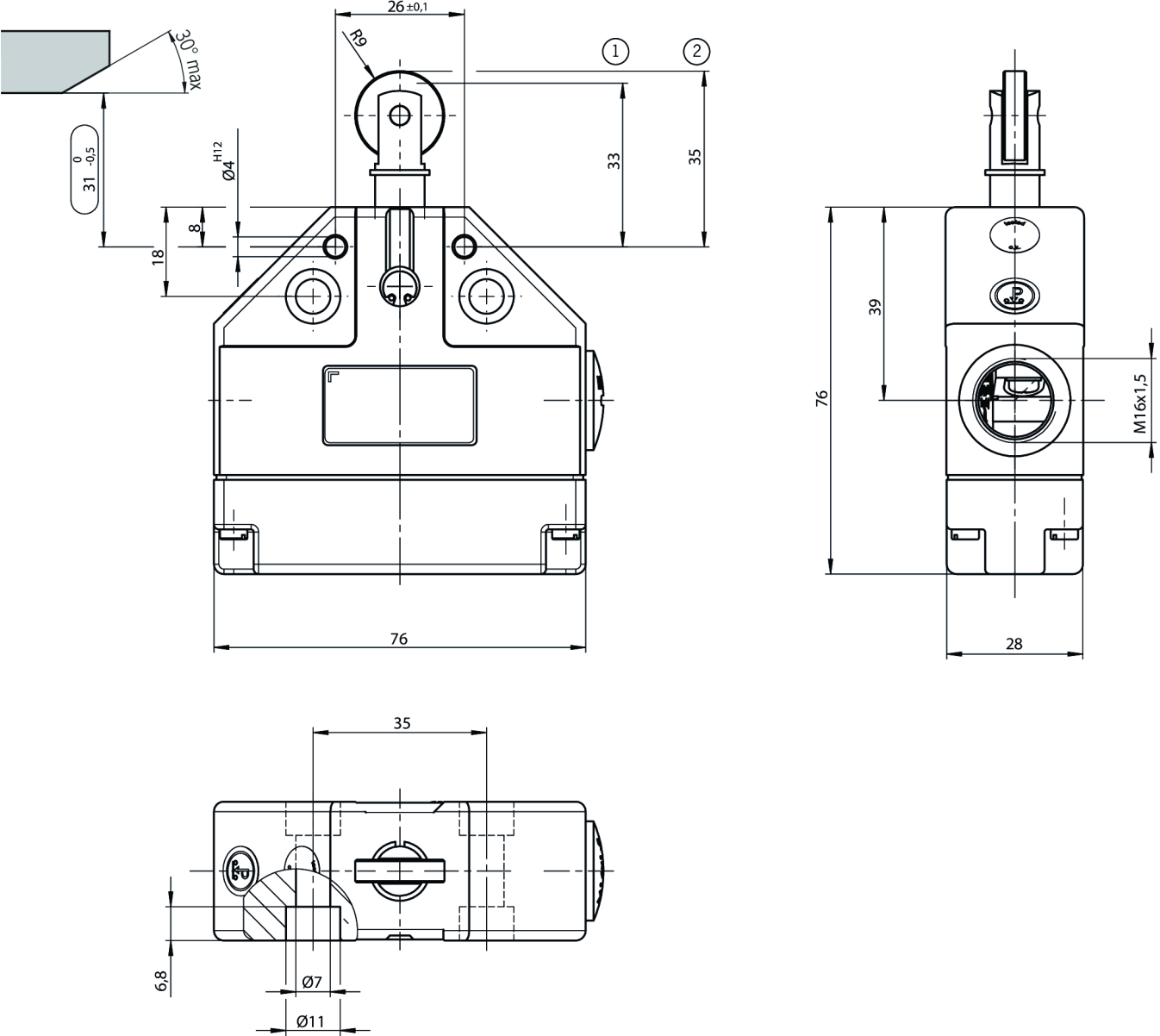
Horizontal

Can be adjusted in 90° steps

### Switching element

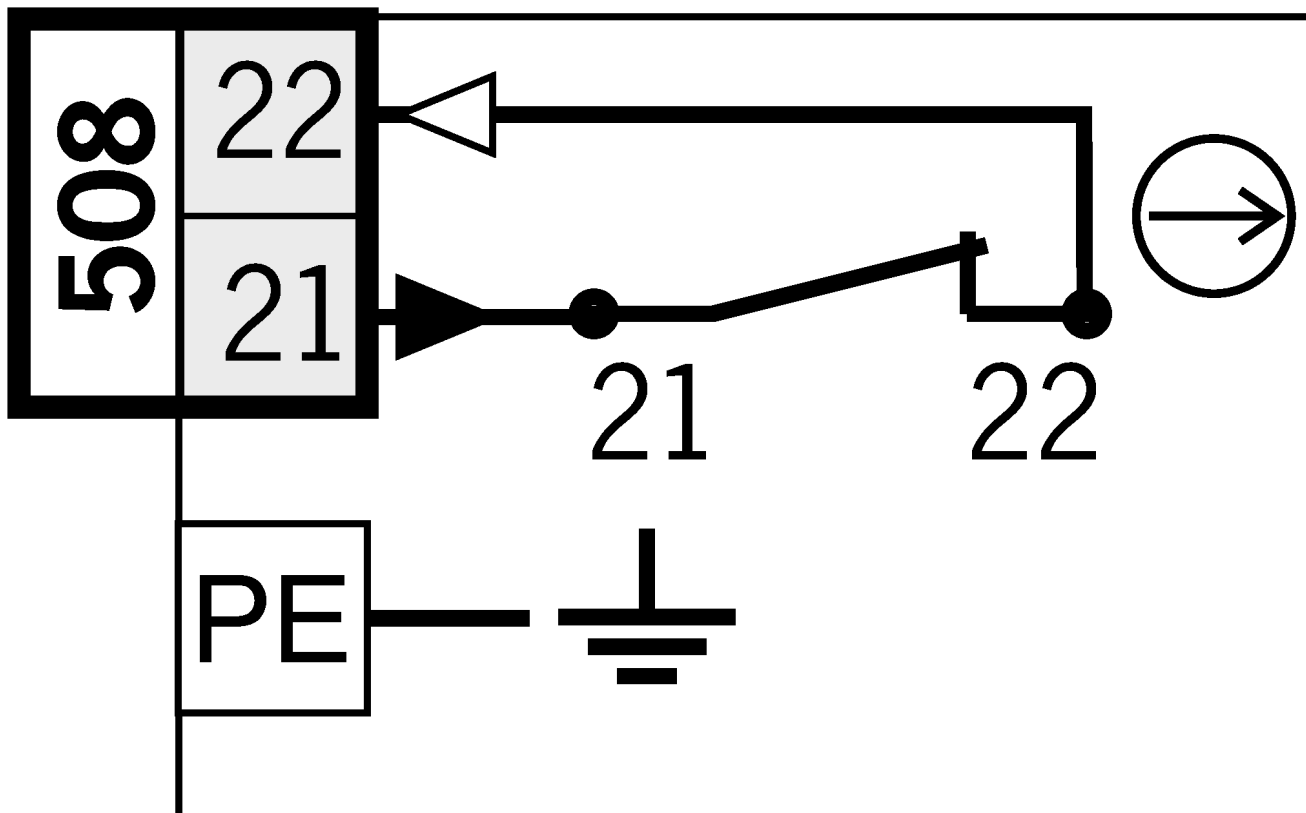
508 Slow-action switching contact 1 positively driven contact  $\rightarrow$

**Dimensional drawings**



- 1 Operating point
- 2 Free position

## Connection examples



## Shift travel diagrams

N1ARL



- g\_Kontakte\_geschlossen\_sw.eps      Contacts closed
- g\_Kontakte\_offen\_sw.eps              Contacts open
- g\_Kontakte\_zwangsgeoeffnet\_sw.eps   Contacts positively driven