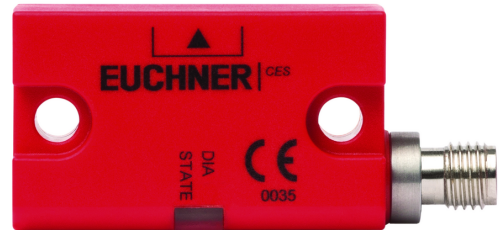


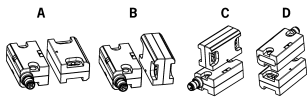
## CES-I-AP-U-C04-SK-115324 (Order no. 115324)

### Safety switch CES-I-AP-.-C04-..., RFID, plug connector(s) M8

- ▶ Unicode
- ▶ M8 plug connector(s), 4-pin



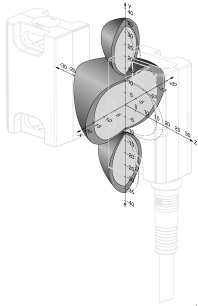
### Approach direction and installation position



Permissible installation position

### Typical operating distance

(Only in conjunction with actuator CES-A-BBN-C04)



For a side approach direction for the actuator and safety switch, a minimum distance of  $s = 6$  mm must be maintained so that the actuating range of the side lobes is not entered.

#### Attention:

The actuating range may vary depending on the actuator, substrate material and installation situation. Further actuating ranges can be found in the operating instructions.

### Unicode evaluation

Each actuator is highly coded (unicode). The switch detects only taught-in actuators. Additional actuators can be taught-in.

Only the last actuator taught-in is detected.

### Safety characteristics

Thanks to two redundant safety outputs (semiconductor outputs) with internal monitoring, the device is suitable for:

- ▶ Category 4 /PL e according to EN 13849-1
- ▶ SIL 3 according to EN IEC 62061 Table 4

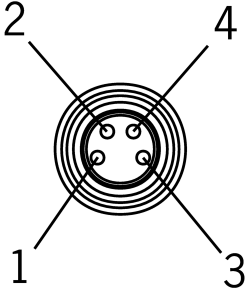
The OSSD outputs used check their function for short circuits and short circuits with test pulses.

## LED indicator

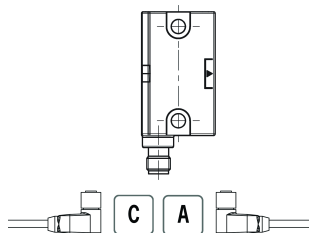
STATE Status LED

DIA Diagnostics LED

## Terminal assignment

Plug connector (view of connection side)	Pin	Designation	Function	Connecting cable conductor coloring
	1	UB	Electronics operating voltage, 24 V DC	BN
	2	FO1A	Safety output, channel A	WH
	3	0 V	Weight 0 V DC	BU
	4	FO1B	Safety output, channel B	BK

## Plug connector(s) adjusted C04

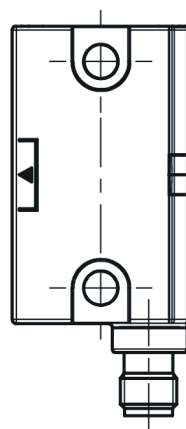
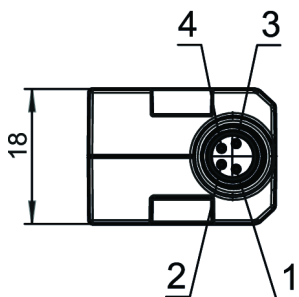
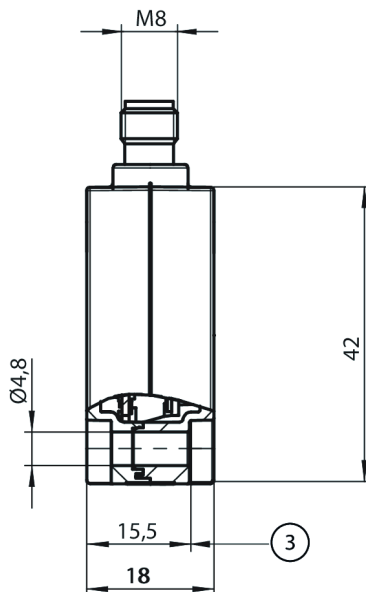
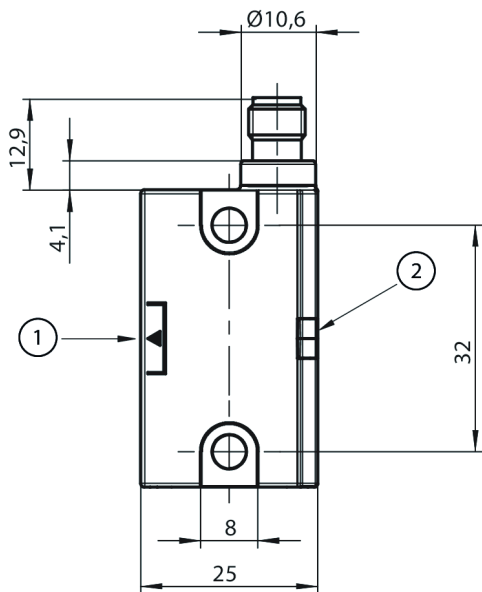


The following applies for the installation position of the device shown: cable outlet C (left), cable outlet A (right).

## Accessories required

Actuator is not included.

## Dimensional drawings



4

- 1 Active face
- 2 LED status indication
- 3 With rubber support
- 4 With the installation orientation shown: cable outlet on left or right