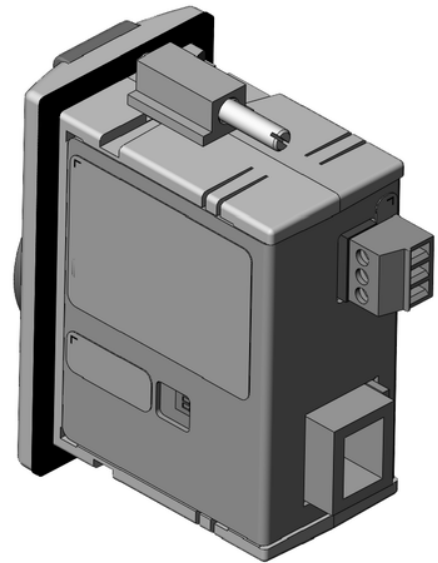


EKS-A-IIX-G01-ST02/03 (Order no. 106305)

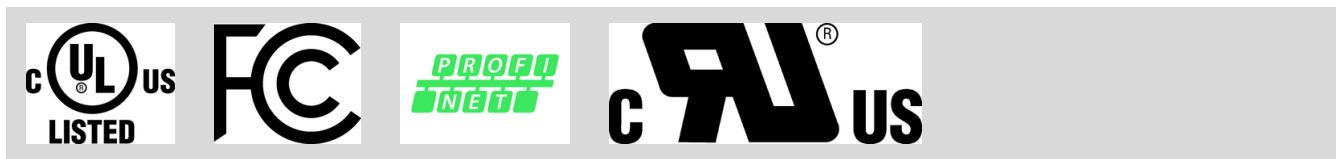
Electronic-Key adapter with PROFINET interface

- ▶ Electronic-Key adapter with PROFINET IO interface in housing G01
- ▶ Read/write system
- ▶ Remote mounting
- ▶ Electronic-Key adapter and electronics in one housing
- ▶ Transfers the data from the Electronic-Key to a control system for processing
- ▶ Connection to PLC
- ▶ PROFINET protocol, cyclic data transfer to control system
- ▶ Interfacing via GSDML file
- ▶ Various options for address assignment, also using DIP switches
- ▶ Very reliable retention of the Electronic-Key, even if there is heavy vibration
- ▶ Degree of protection: IP65/IP67 (installed)
- ▶ LED indicator



Technical data

Approvals



Operating and display elements

LED display

| | |
|--------|------------------------|
| green | operational |
| red | Error |
| yellow | Key in actuating range |

Electrical connection values

| Power supply | |
|----------------------|--|
| Operating voltage DC | 20 ... 24 ... 28 V DC |
| Current consumption | max. 150 mA |
| PROFINET interface | |
| Connecting cable | min. 2x2 twisted pair copper cable shielded, min. cat. 5 |

Mechanical values and environment

| | |
|---|----------------|
| Installation orientation | on the front |
| Storage temperature | -25 ... 70 °C |
| Mounting cut-out | 33 x 68 mm |
| Degree of protection | |
| in mounted condition (only access side) | IP67 |
| Ambient temperature | 0 ... 55 °C |
| Material | |
| Housing | PA6-GF30, gray |

| PROFINET interface | |
|--------------------|----------------------|
| Connection type | |
| | RJ-45 socket |
| | star topology wiring |

Interface

| PROFINET interface | |
|---------------------------|-----------------------|
| Data protocol | PROFINET |
| Data rate | 10/100 Mbit/s |
| Date interface | Ethernet (IEEE 802.3) |