

NG2SM-510SVM5 (Order no. 094059)

Position switch NG.SM, plug connector SVM5, aluminum rod

- ▶ Pivoted lever arm SM (aluminum rod)
- ▶ Plug connector M12/SVM5



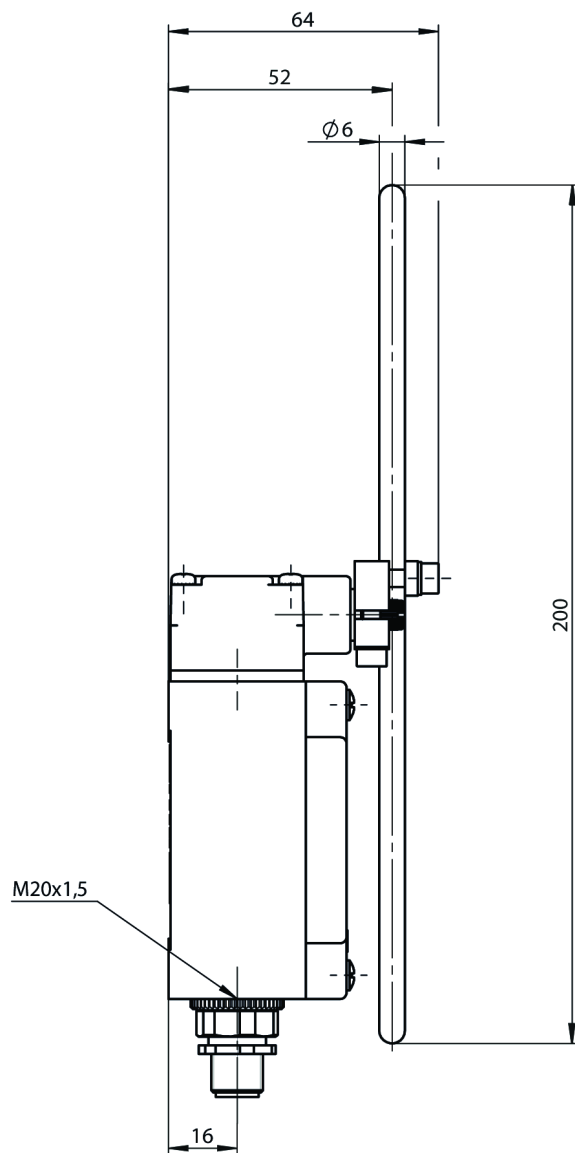
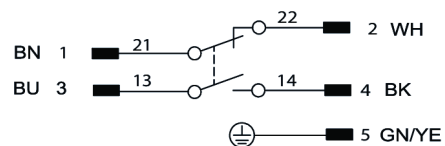
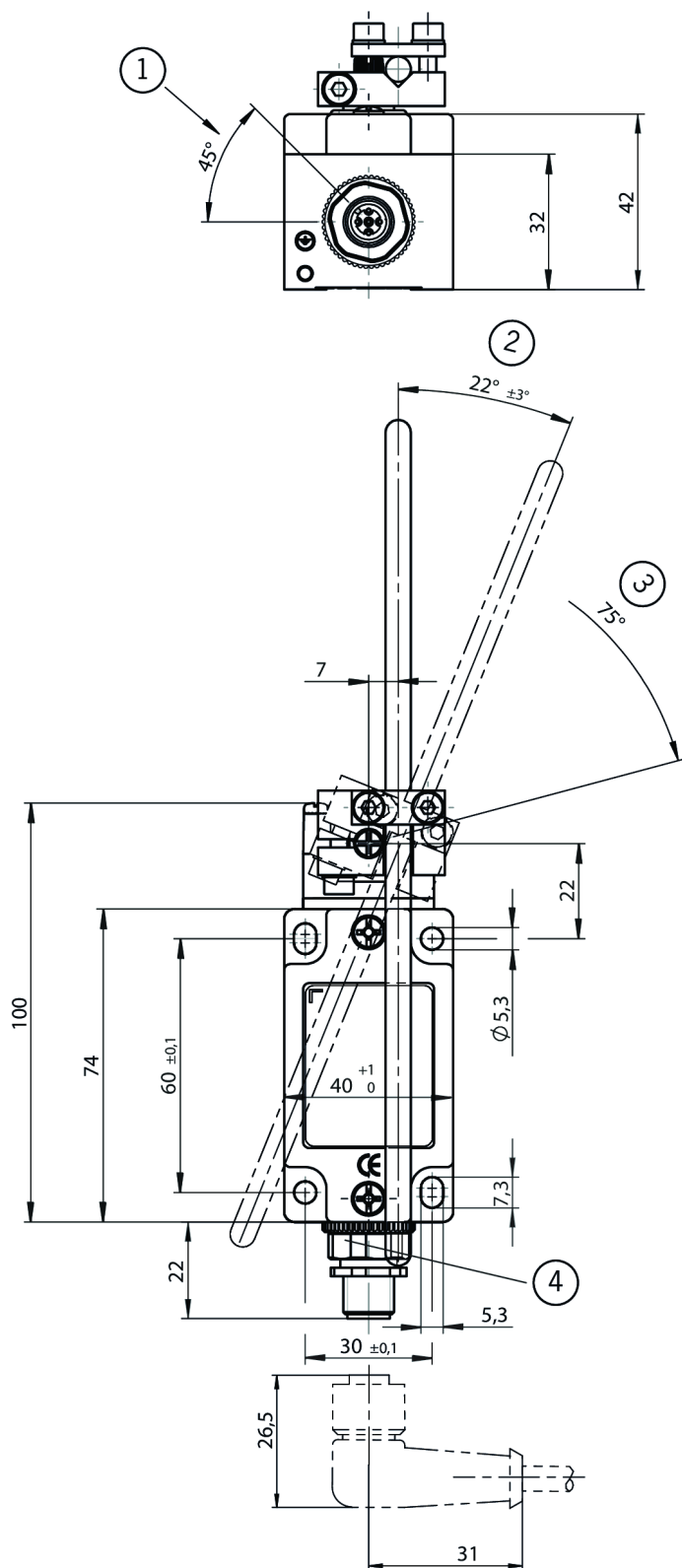
Switching element

510 Snap-action switching contact 1 NC + 1 NO

Adjustment options

Horizontal 4 x 90°

Dimensional drawings



- 1 Guide lug aligned
- 2 Operating point
- 3 Final position
- 4 Male socket adjustable (max. 270°)

Connection examples

