

TZLE000RC18VA-C2199 (Order no. 100449)

Safety switch TZ, plug connector RC18 and RC12, 2 illuminated pushbuttons

- ▶ Auxiliary release on the front
- ▶ 2 pushbuttons with LED (white/yellow)
- ▶ Plug connector for switch connection
- ▶ Plug connector for enabling switch
- ▶ Actuating head fitted left



Auxiliary release

Auxiliary release has no function

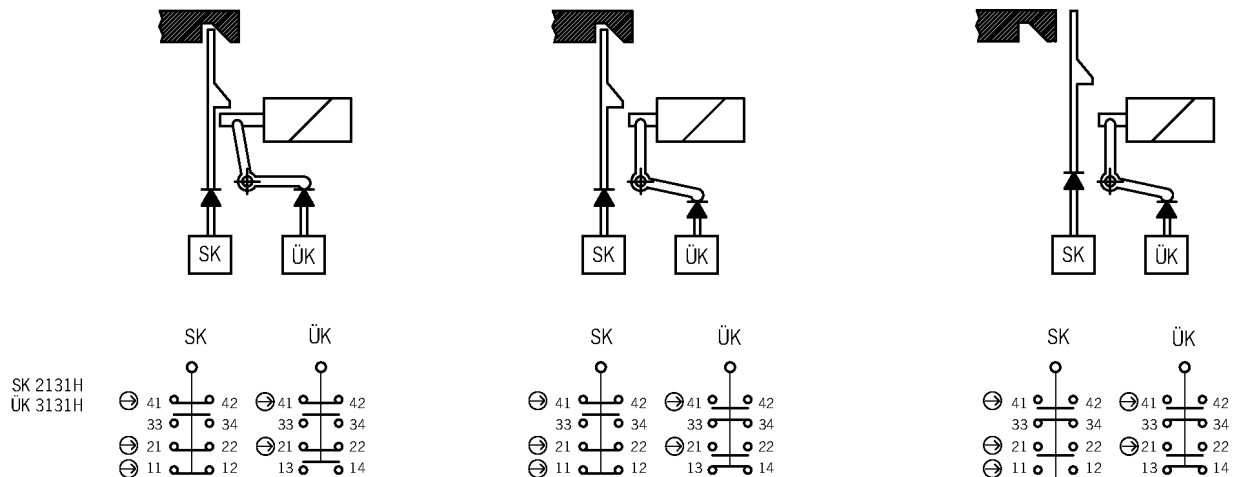
Switching elements

SK For monitoring the door/actuator position

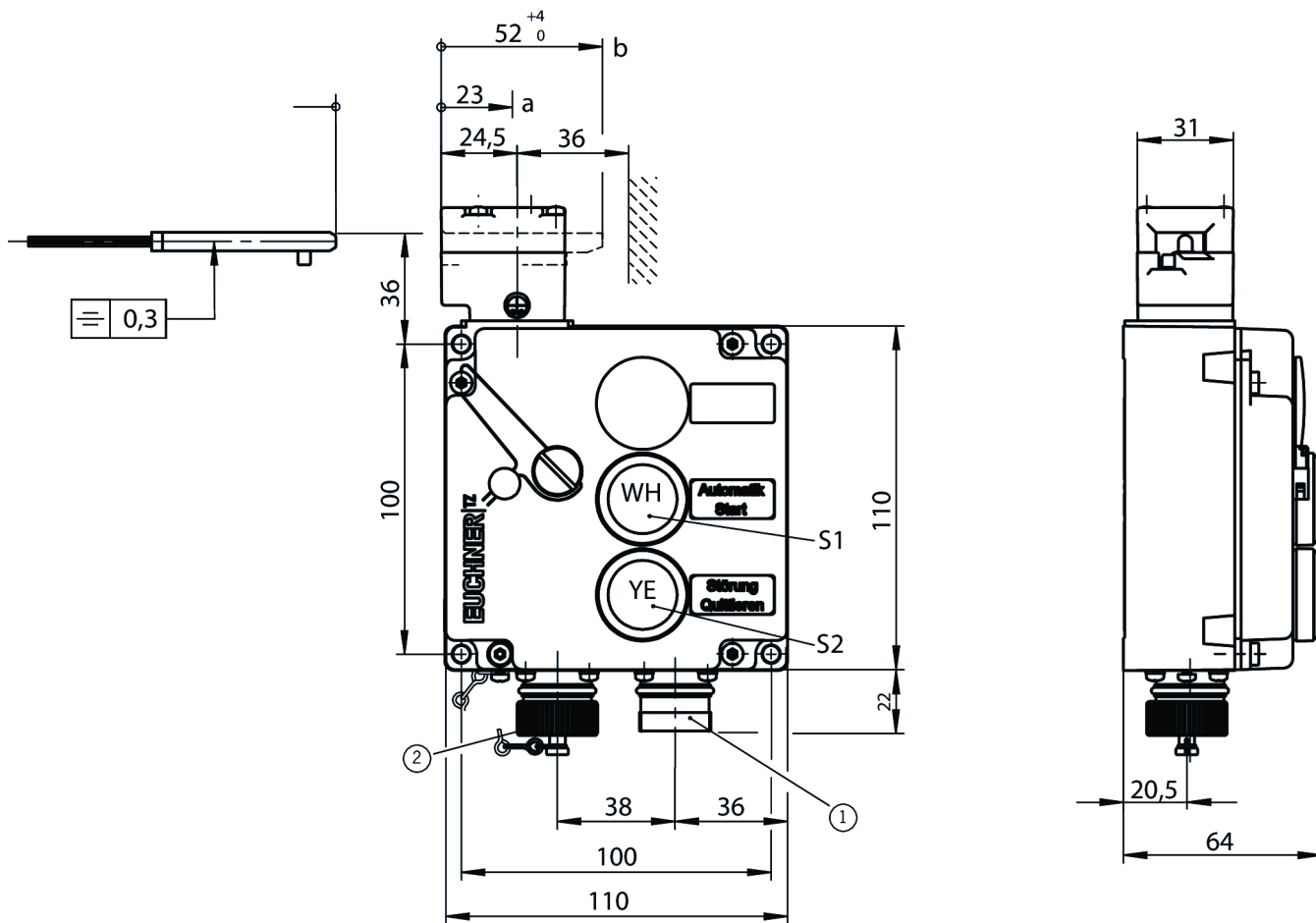
2131H Slow-action switching contact 3 NC \ominus + 1 NO

3131H Slow-action switching contact 2 NC \ominus + 2 NO

Functional drawings



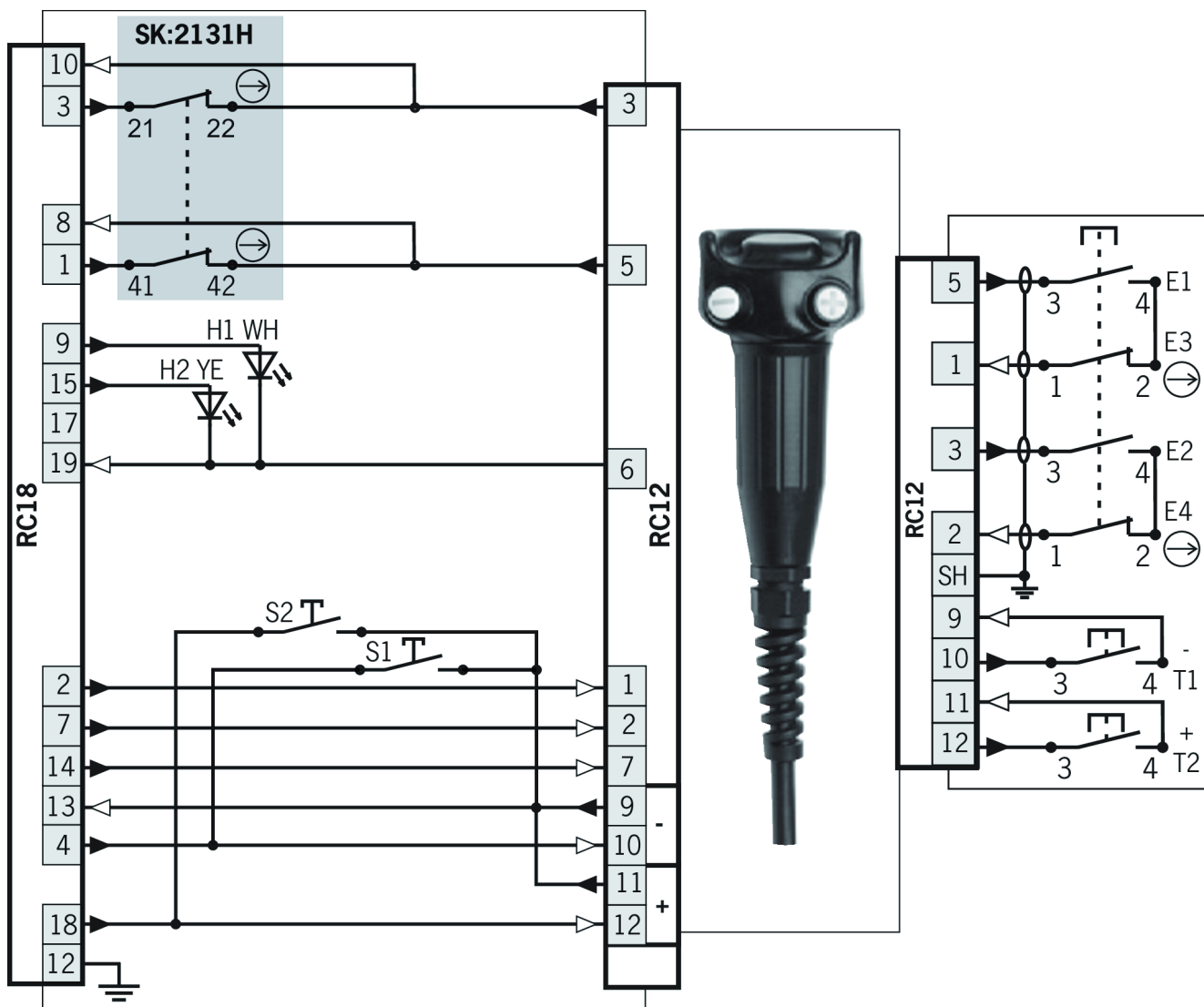
Dimensional drawings



1 Plug connector RC18

2 Connection for enabling switch

Connection examples



Enabling switch ZSB077040 (077 040) with plug RC12

square_grey_dark.eps Door monitoring

square_grey_light.eps Solenoid monitoring