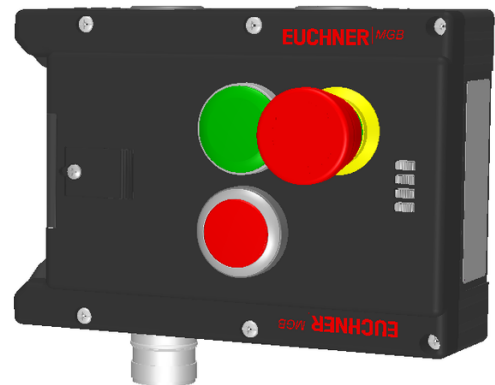


MGB-L1-APA-AH3A1-S1-L-115896 (Order no. 115896)

Locking module MGB-L1-APA... (guard locking by spring force) with 1 pushbutton, 1 indicator, emergency stop, RC18

- ▶ Guard locking with guard lock monitoring
- ▶ Emergency stop according to ISO 13850
- ▶ 1 indicator (illuminated, gn)
- ▶ 1 pushbutton (illuminated, rd)
- ▶ With plug connector RC18
- ▶ Unicode



Guard locking type

MGB- The locking arm is held in the locked position by spring force and is unlocked by solenoid force
L1... (closed-circuit current principle, mechanically locked).

Door hinge

A mechanical door stop is permanently integrated into the evaluation module of the MGB. A marking on the stop makes adjustment easier.

LED indicator

The LED indicator indicates all important system and status information.

Monitoring outputs

- OT Bolt tongue inserted into the evaluation module
- OI Diagnostics; there is a fault

Emergency stop device

S1 2 positively driven contacts and 1 NO contact (e.g. monitoring contact), emergency stop with turn-to-reset, not illuminated

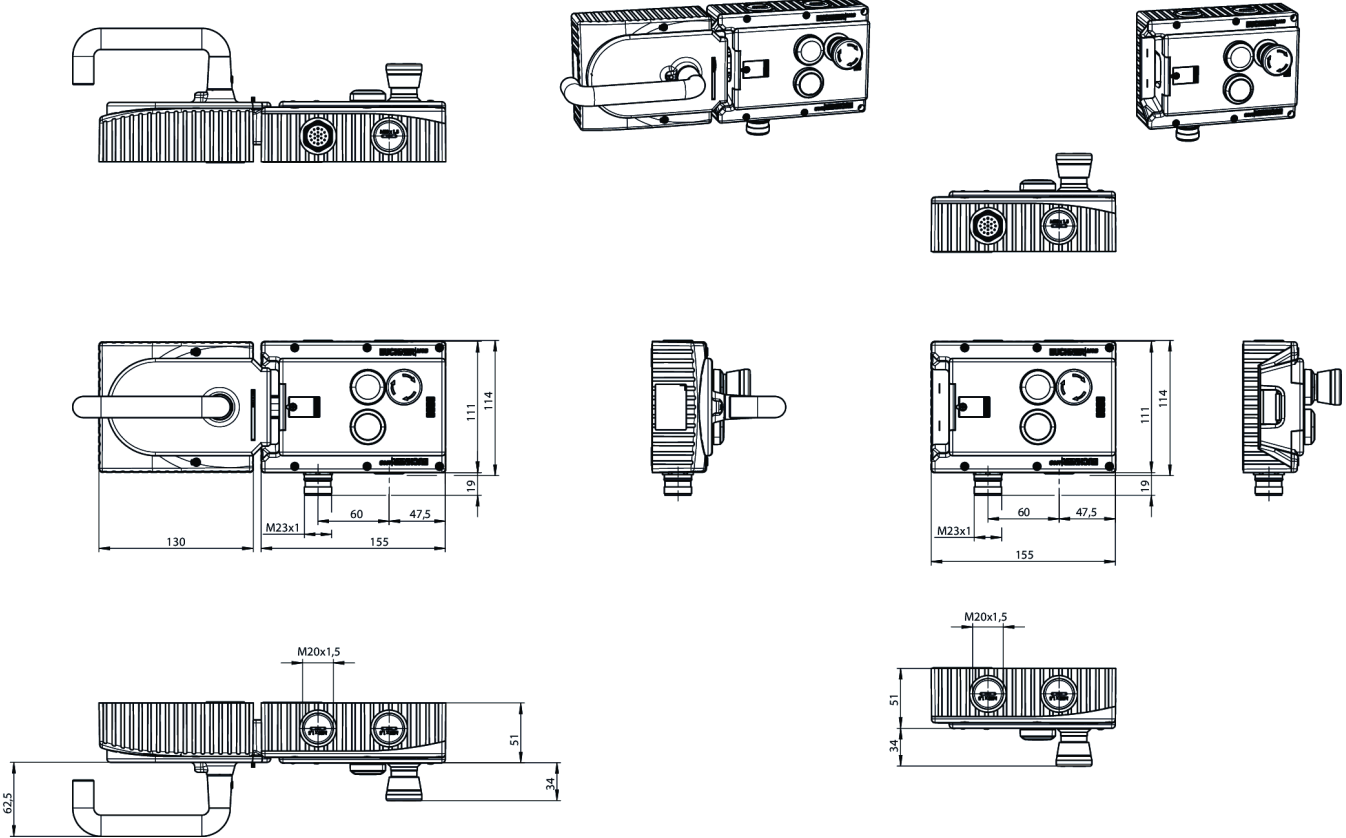
Indicators

H2 LED, green

Pushbuttons

S3 1 NO contact, red, illuminated

Dimensional drawings



Dimensional drawings

