

EGM12-1200C1791/V25 (Order no. 075625)

Precision single hole fixing limit switch EGM12

- ▶ with snap-action switching element
- ▶ Plunger material stainless steel
- ▶ Any installation position

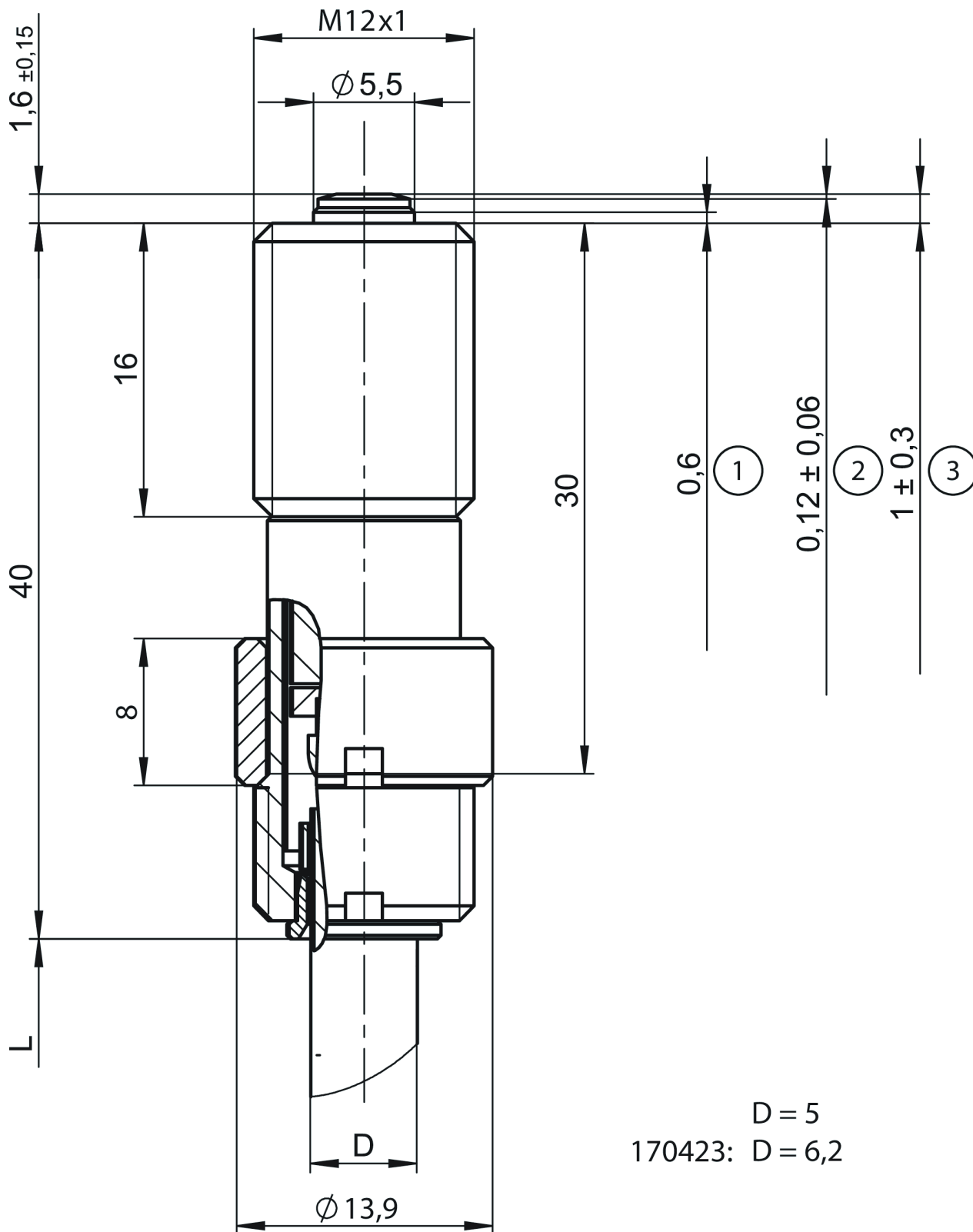


Switching element

Snap-action switching contact, 1 changeover contact

⚠ Single hole fixing limit switches must not be used as an end stop.

Dimensional drawings



D = 5
 170423: D = 6,2

- 1 End position
- 2 Differential travel
- 3 Operating point

Connection examples

