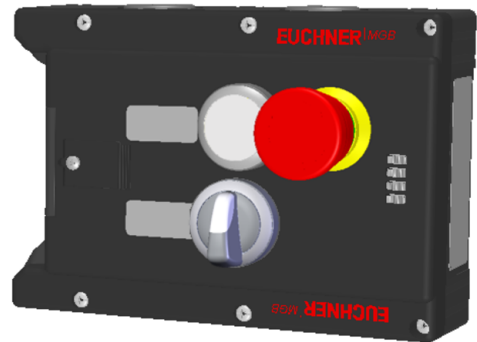


MGB-L1-ARA-AN6A1-M-L-160588 (Order no. 160588)

Locking module MGB-L1-ARA..., (guard locking by spring force) with 1 pushbutton, emergency stop, selector switch

- ▶ Guard locking with guard lock monitoring
- ▶ Can be connected in series with other AR devices (e.g. CES-AR and CET-AR)
- ▶ Emergency stop according to ISO 13850
- ▶ 1 pushbuttons (illuminated)
- ▶ With lens set, 6 pcs.
- ▶ Selector switch (form V, 2x40°)
- ▶ With cable entry
- ▶ Unicode



Guard locking type

MGB- L1... The locking arm is held in the locked position by spring force and is unlocked by solenoid force (closed-circuit current principle, mechanically locked).

Door hinge

A mechanical door stop is permanently integrated into the evaluation module of the MGB. A marking on the stop makes adjustment easier.

LED indicator

The LED indicator indicates all important system and status information.

Monitoring outputs

- OD ON when the door is closed
- OT Bolt tongue inserted into the evaluation module
- OL Guard locking solenoid in locked position
- OI Diagnostics; there is a fault

Emergency stop device

S1 2 positively driven contacts, emergency stop with turn-to-reset.

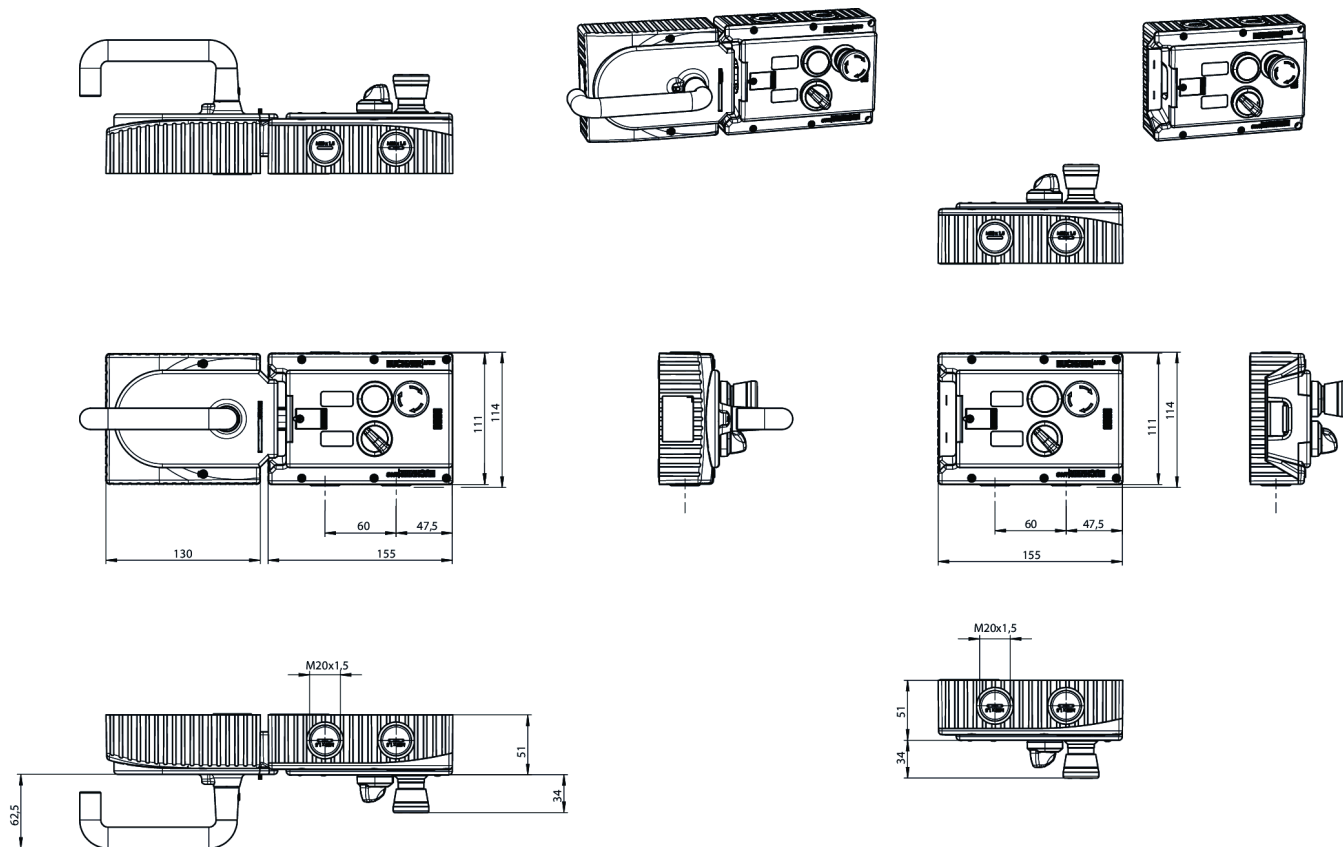
Pushbuttons

S2 1 NO contact, illuminated

Selector switch

S3 Spring return selector switch with 3 positions (form V, 2 x 40°).

Dimensional drawings



Connection examples

