

## GSBF02D12-514-M (Order no. 089066)

### Series GSBF... 12 mm, mechanical

- ▶ Plunger spacing 12 mm
- ▶ Upright housing
- ▶ Degree of protection IP67 according to IEC 60529
- ▶ LED function display

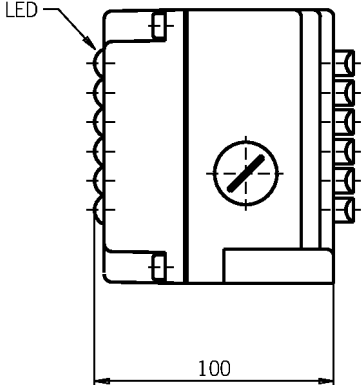
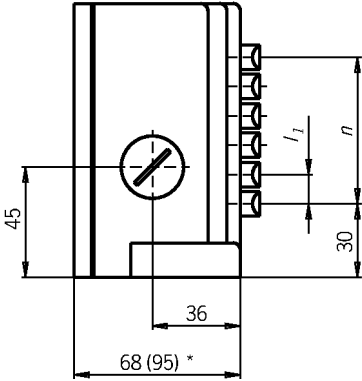
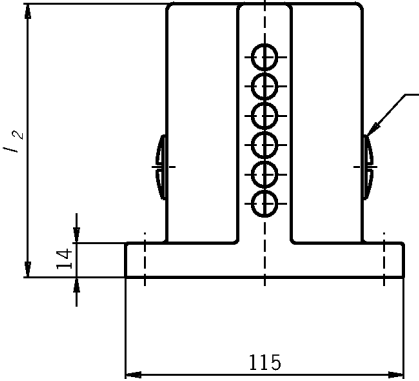
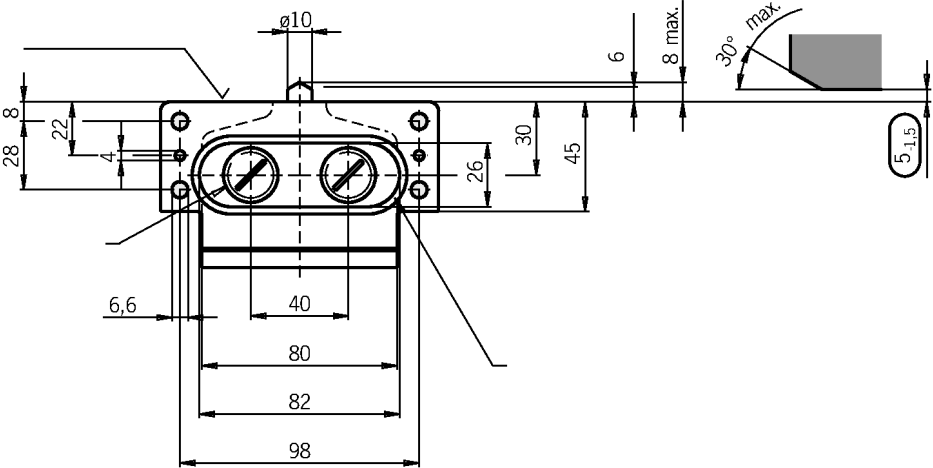


### Switching element

ES 514 Snap-action switching contact 1 NC  $\rightarrow$ + 1 NO

On the usage of safety switching elements, the dog distance  $\textcircled{4-0.5}$  must be maintained to achieve the positively driven travel. The dogs must be positively mounted according to EN ISO 14119, i.e. riveted, welded or secured in some other way against becoming loose.

**Dimensional drawings**



Connection examples

# ES 514

