


ZSB070894 (Order no. 070894)

ZSB, housing G3, 3-stage, +/- buttons, selector switch and cable

- ▶ 3-stage function
- ▶ Housing G3
- ▶ Straight connecting cable, 10 m
- ▶ Two illuminated pushbuttons
- ▶ Selector switch
- ▶ Including holder



Switching element

210 2 NO + 1 NC 

Cable

The high-quality connecting cables (individual screening of the safety contacts) are available in a straight version.

Selector switch (12-stage)

For the selection of different axes or ranges. All outputs are open between the switch positions on the selector switch (break-before-make switching)!

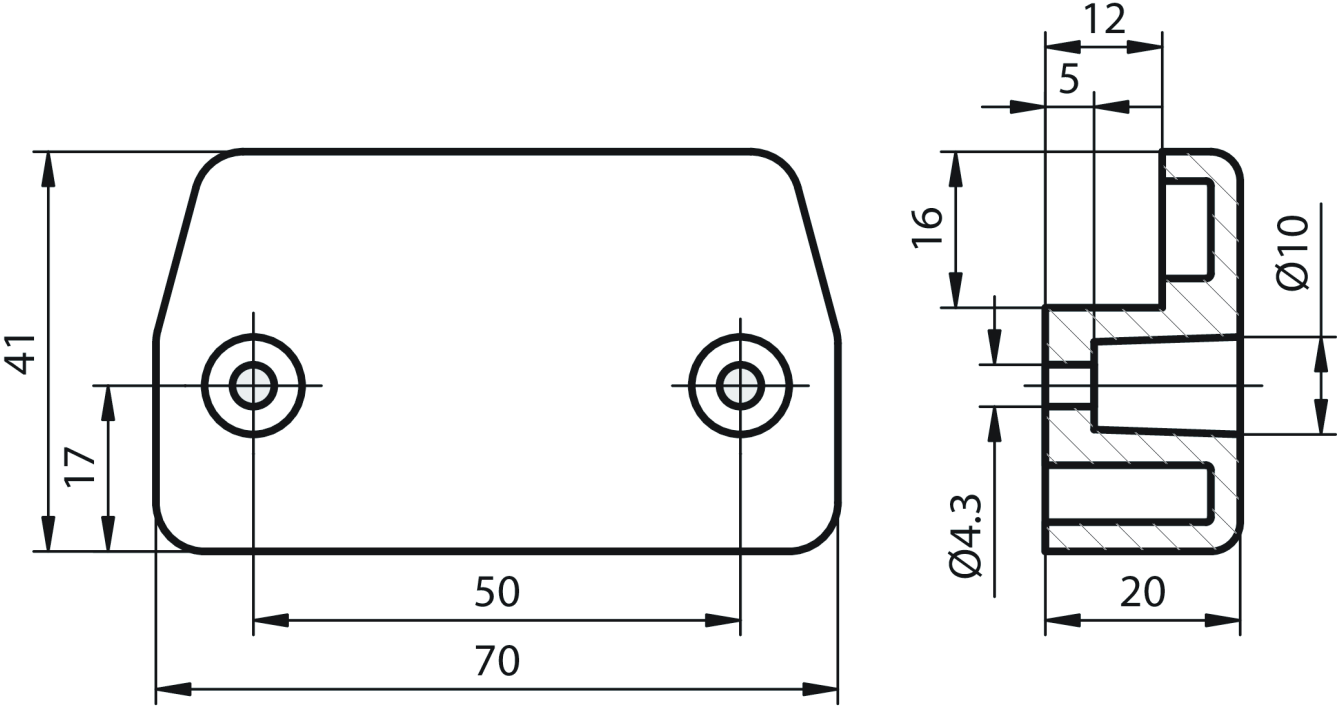
3-stage function

Enabling function is active only in the second stage (center position, actuating point). If the pushbutton is released or pushed further (panic function), the enabling is removed (dependent on the wiring, see function sequence).

Illuminated + and - buttons

These pushbuttons can be configured individually. For example, for moving axes in positive or negative direction.

Dimensional drawings



Dimensional drawings

