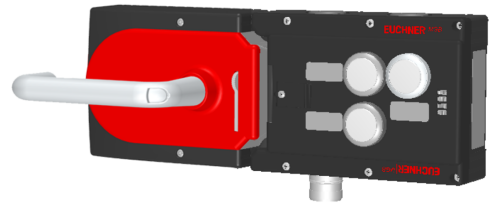


## MGB-L1H-ARA-L-110871 (Order no. 110871)

### Locking set MGB-L1H-ARA... (guard locking by spring force) with 3 pushbuttons, incl. label carrier, RC18

- ▶ Guard locking with guard lock monitoring
- ▶ Can be connected in series with other AR devices (e.g. CES-AR and CET-AR)
- ▶ 3 pushbuttons (illuminated, wh, wh, wh)
- ▶ incl. adhesive labels
- ▶ With plug connector RC18
- ▶ Unicode



### Guard locking type

MGB- L1... The locking arm is held in the locked position by spring force and is unlocked by solenoid force (closed-circuit current principle, mechanically locked).

### Door hinge

A mechanical door stop is permanently integrated into the evaluation module of the MGB. A marking on the stop makes adjustment easier.

### LED indicator

The LED indicator indicates all important system and status information.

### Monitoring outputs

- OD ON when the door is closed
- OT Bolt tongue inserted into the evaluation module
- OL Guard locking solenoid in locked position
- OI Diagnostics; there is a fault

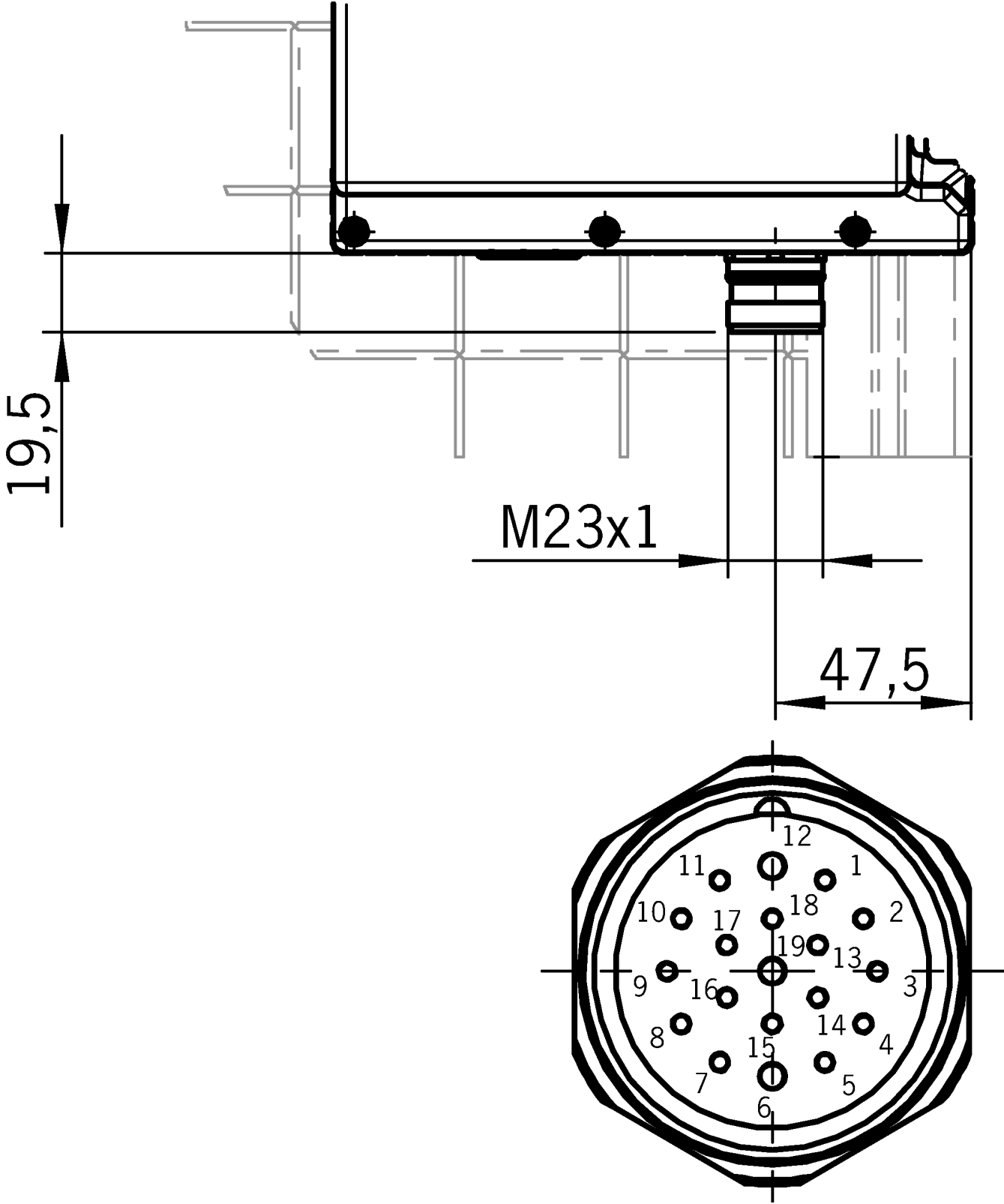
### Pushbuttons

- S1 1 NO contact, white, illuminated
- S2 1 NO contact, white, illuminated
- S3 1 NO contact, white, illuminated

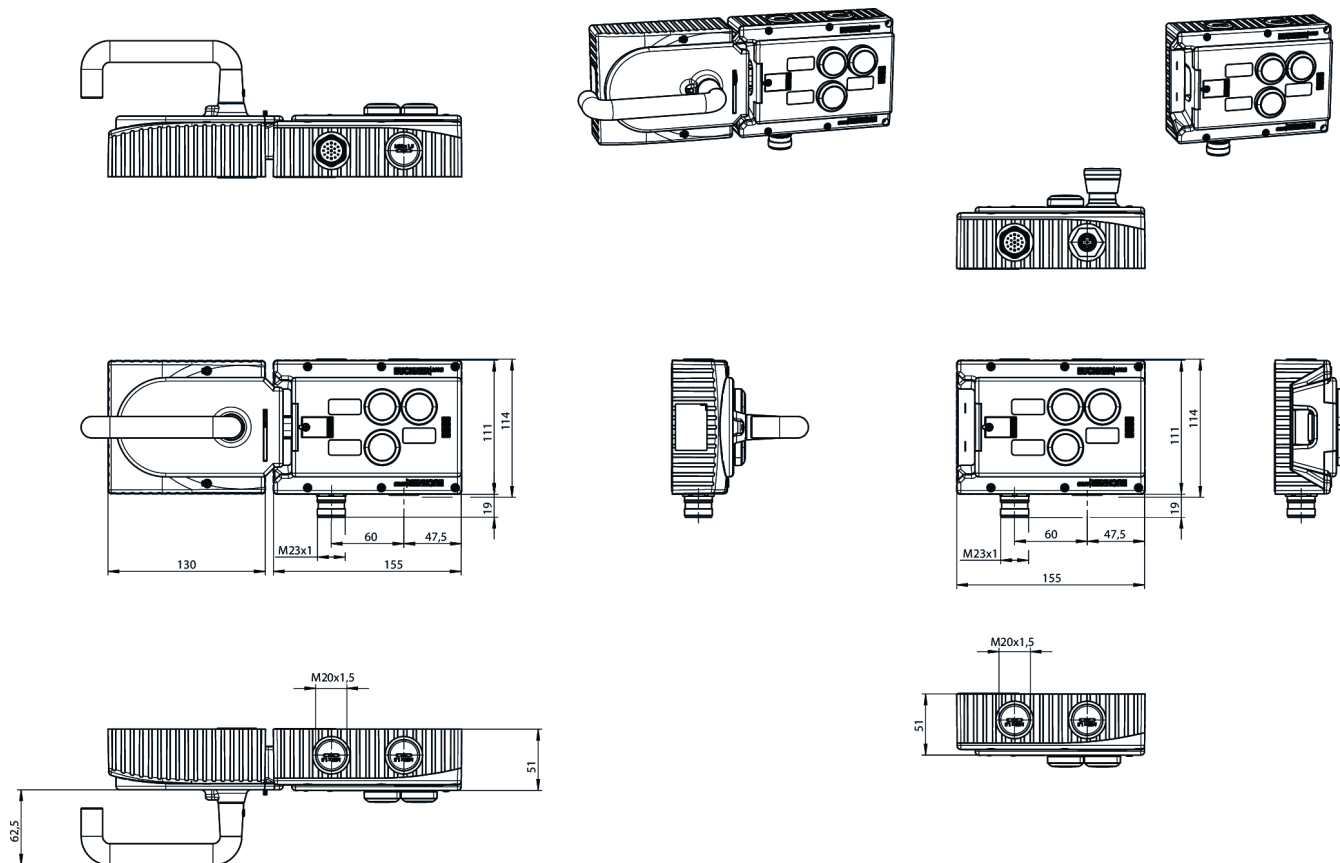
### Adhesive labels

Devices with adhesive labels have pre-formed recesses. The adhesive labels enclosed (standard size 12.5 x 27 mm) can be affixed in these recesses.

Dimensional drawings



## Dimensional drawings



## Connection examples

