

MGB2-L1HB-PN-U-S3-DA-R-156388 (Order no. 156388)

Complete set MGB2-L1...-PN (2 pushbuttons, emergency stop, closed-circuit current principle, door hinge on right)

- ▶ Guard locking with guard lock monitoring
- ▶ Illuminated emergency stop according to ISO 13850
- ▶ 2 illuminated pushbuttons
- ▶ 3 slide-in labels
- ▶ Connection via plug connector RJ45, AIDA compliant
- ▶ Integrated switch
- ▶ Adjustable door hinge; factory setting: right
- ▶ Unicode



Guard locking type

MGB2- Guard locking by spring force. Release by applying voltage to the guard locking solenoid.
L1... (closed-circuit current principle)

PROFINET connection

Plug connector RJ45 (push-pull plug according to IEC 61076-3-117, variant 14)

PROFINET switch

Linear topology network structure due to integrated switch (supports MRP).

Lens set

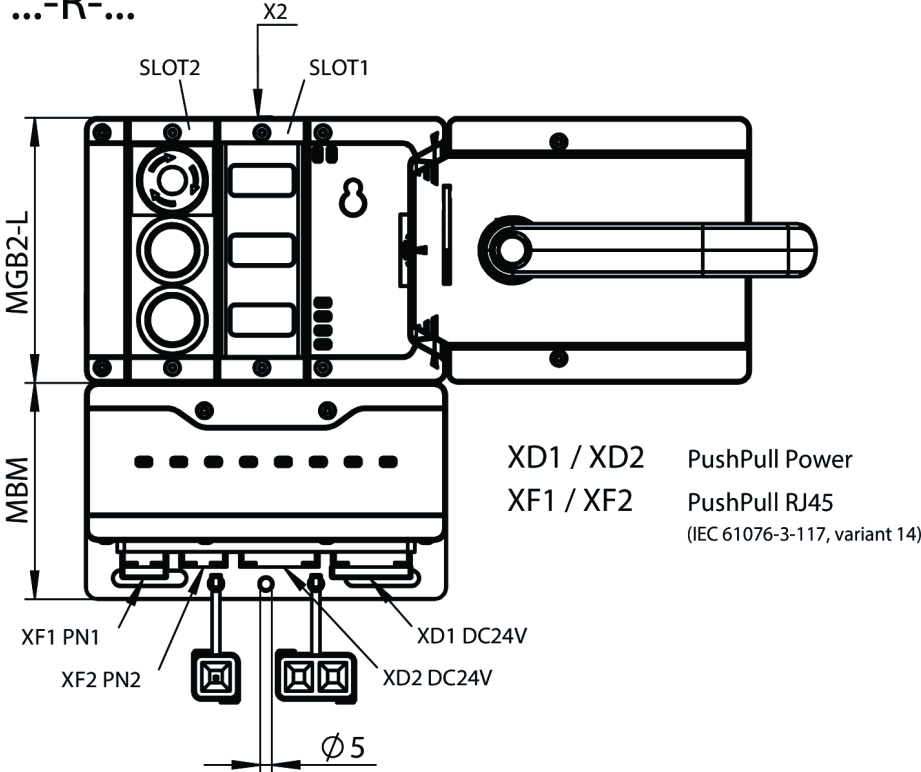
The color of the pushbuttons can be selected using the lens set 120344 included (5 colors).

Slide-in labels

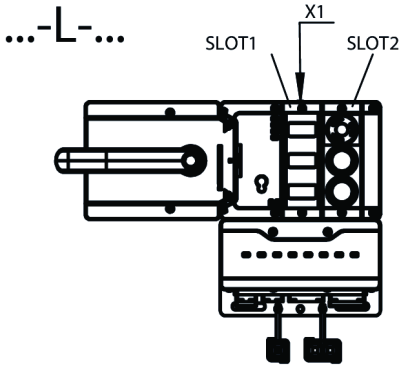
The user can produce custom labeling using the enclosed slide-in labels. (3 pcs., blank)

Dimensional drawings

...-R-...



XD1 / XD2 PushPull Power
XF1 / XF2 PushPull RJ45
(IEC 61076-3-117, variant 14)



...-L-...

Dimensional drawings

