

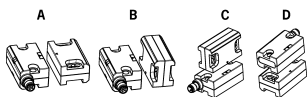
CES-I-AR-M-C04-U10-119476 (Order no. 119476)

Safety switch CES-I-AR-.-C04-..., RFID, connection cable, connecting cable PUR

- ▶ Multicode
- ▶ Monitoring output door position OD
- ▶ PUR connection cable, connecting cable, 10 m, flying lead, 8-core
- ▶ Suitable for low ambient temperatures



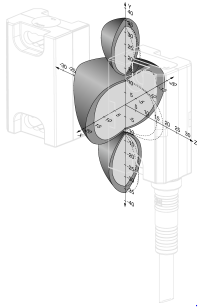
Approach direction and installation position



Permissible installation position

Typical operating distance

(Only in conjunction with actuator CES-A-BBN-C04)



[For a side approach direction for the actuator and safety switch, a minimum distance of \$s = 6 \text{ mm}\$ must be maintained so that the actuating range of the side lobes is not entered.](#)

Attention:

The actuating range may vary depending on the actuator, substrate material and installation situation. Further actuating ranges can be found in the operating instructions.

Multicode evaluation

The system checks whether the actuator type is one that can be recognized by the system (multicode evaluation). The system has a low coding level. Every suitable actuator is recognized by the switch.

Safety characteristics

Thanks to two redundant safety outputs (semiconductor outputs) with internal monitoring, the device is suitable for:

- ▶ Category 4 /PL e according to EN 13849-1
- ▶ SIL 3 according to EN IEC 62061 Table 4

The OSSD outputs used check their function for short circuits and short circuits with test pulses.

LED indicator

STATE Status LED

DIA Diagnostics LED

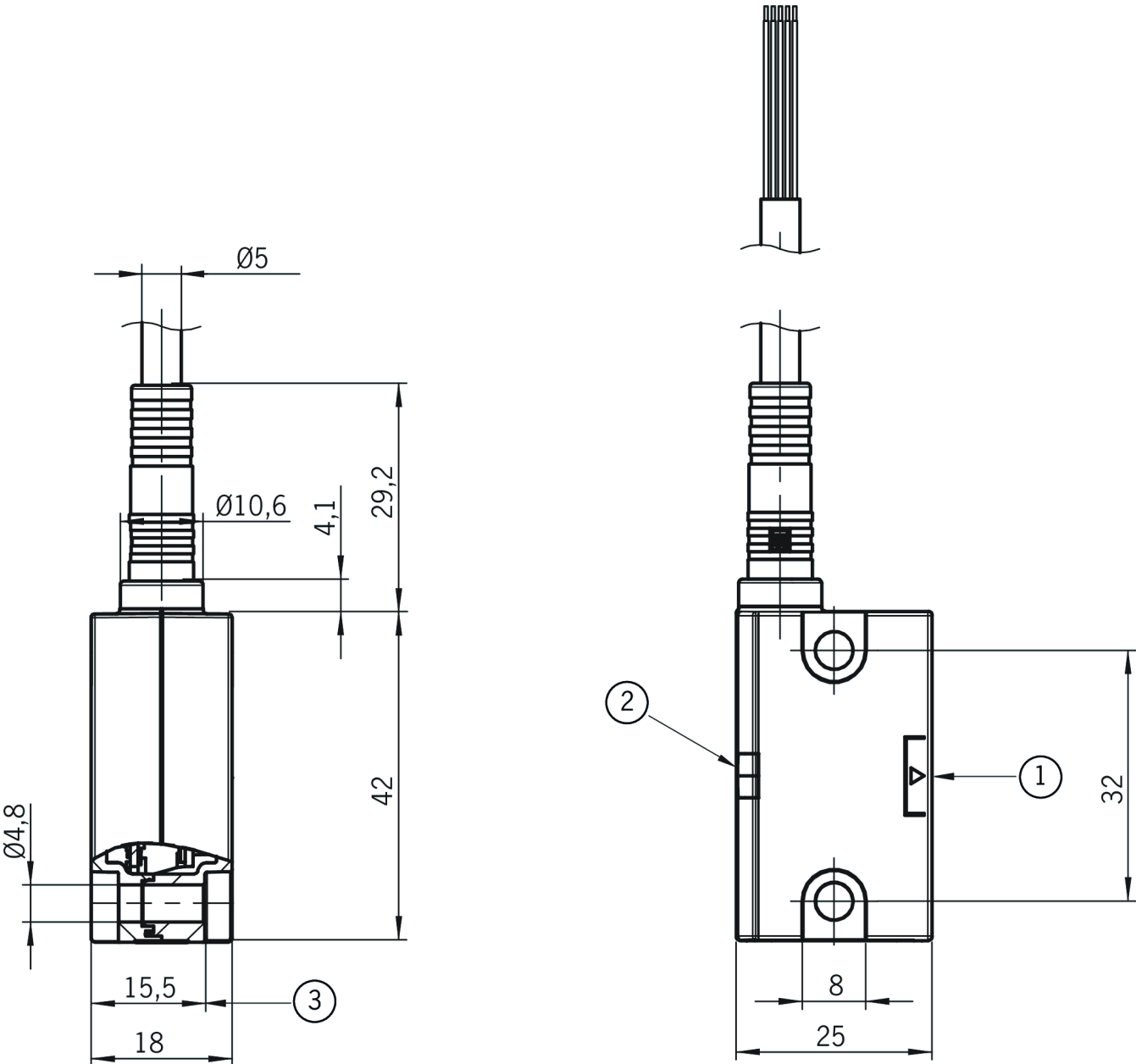
Terminal assignment

Designation	Function	Connecting cable conductor coloring
FI1B	Safety output, channel B	WH
UB	Electronics operating voltage, 24 V DC	BN
F01A	Safety output, channel A	GN
F01B	Safety output, channel B	YE
OD	Monitoring output	GY
FI1A	Safety output, channel A	PK
0 V	Weight 0 V DC	BU
RST	Reset input	RD

Accessories required

Actuator is not included.

Dimensional drawings



- 1 Active face
- 2 LED status indication
- 3 With rubber support