

NZ2RK-538SVM5 (Order no. 089018)

Safety switch NZ.RK, roller plunger, steel roller \varnothing 8 mm, plug connector M12

- ▶ Roller plunger, steel roller \varnothing 8 mm
- ▶ Plug connector M12, 5-pin
- ▶ 2 pos. driven contact



Approach direction



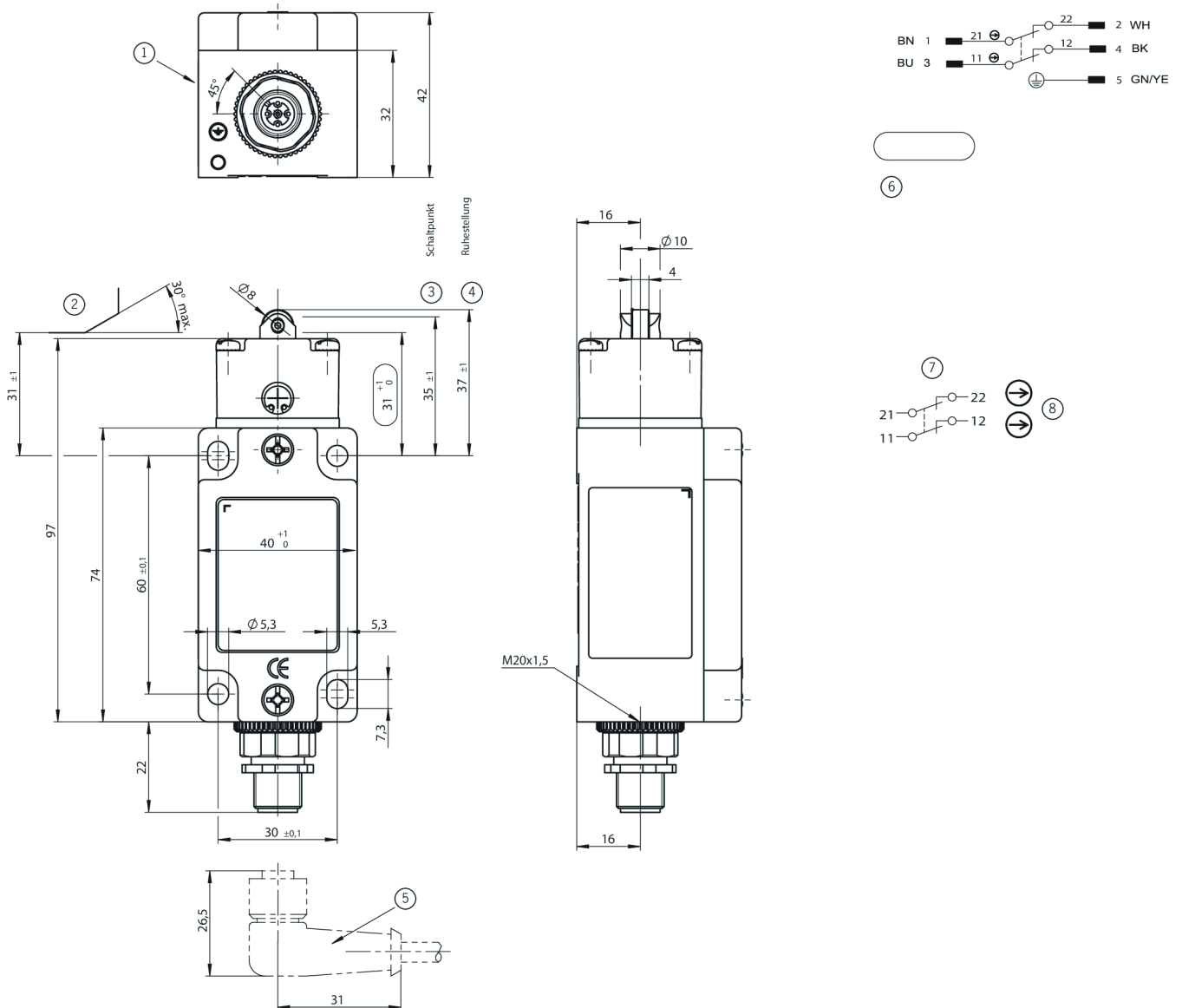
Horizontal

Can be adjusted in 90° steps

Switching element

538H Slow-action switching contact 2 positively driven contacts 

Dimensional drawings



1 Guide lug aligned

2 Dog

3 Operating point

4 Free position

5 Right-angle plug connector: cable outlet adjustable max. 270° Default setting for cable outlet to the right. Related plug connectors are to be ordered separately.

6 Positive opening function is dependent on maintaining this distance. Actuator (dog) must be positively mounted on the machine. Switch can be replaced only with the same type.

7 Switching element in free position

8 Switching element ES538H slow-action contact element 2 NC contacts positive opening

Connection examples

