

NZ1RS-528-MC1588 (Order no. 091339)

Safety switch NZ.RS.C1588, roller plunger, steel roller \varnothing 12 mm, exterior bellows, cable entry M20 x 1.5

- ▶ Roller plunger, steel roller \varnothing 12 mm
- ▶ Version C according to EN 50041
- ▶ Cable entry M20 x 1.5
- ▶ 1 pos. driven contact
- ▶ 1 NO contacts
- ▶ Exterior bellows (CR-based material)



Approach direction



Horizontal

Can be adjusted in 90° steps

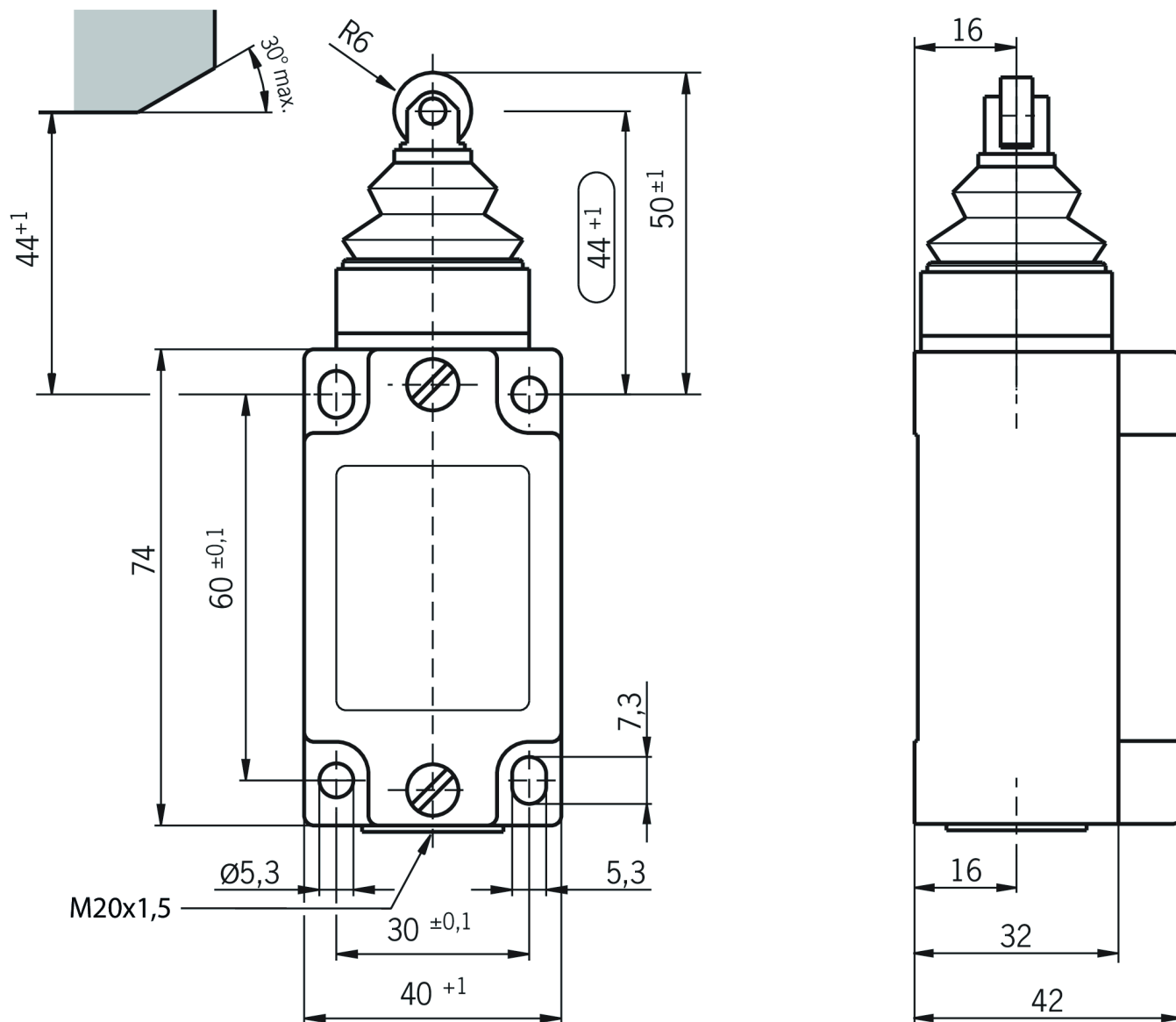
Exterior bellows

Protection against heavy soiling (dust) and aggressive coolants.

Switching element

528H Slow-action switching contact 1 positively driven contact $\ominus \rightarrow$ + 1 NO contact

Dimensional drawings



Connection examples

