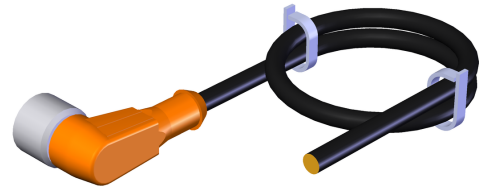


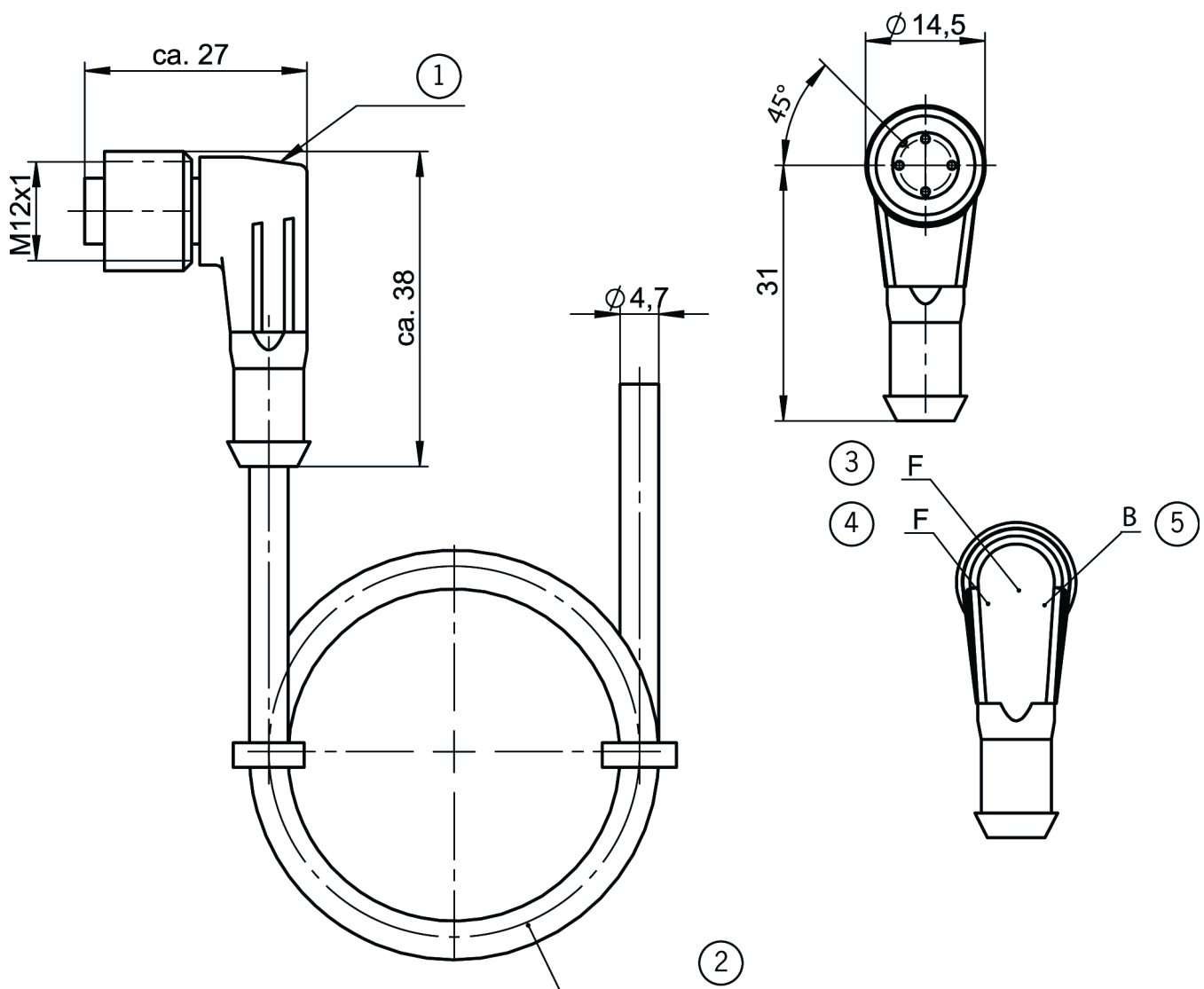
## C-M12F04-04X034PU05,0-GA-041091 (Order no. 041091)

### Connecting cable with plug connector M12

- ▶ M12 female plug, 4-pin
- ▶ Angled plug connector
- ▶ PUR cable
- ▶ Halogen-free
- ▶ Cable length 5 m
- ▶ With flying lead
- ▶ Cores color-coded

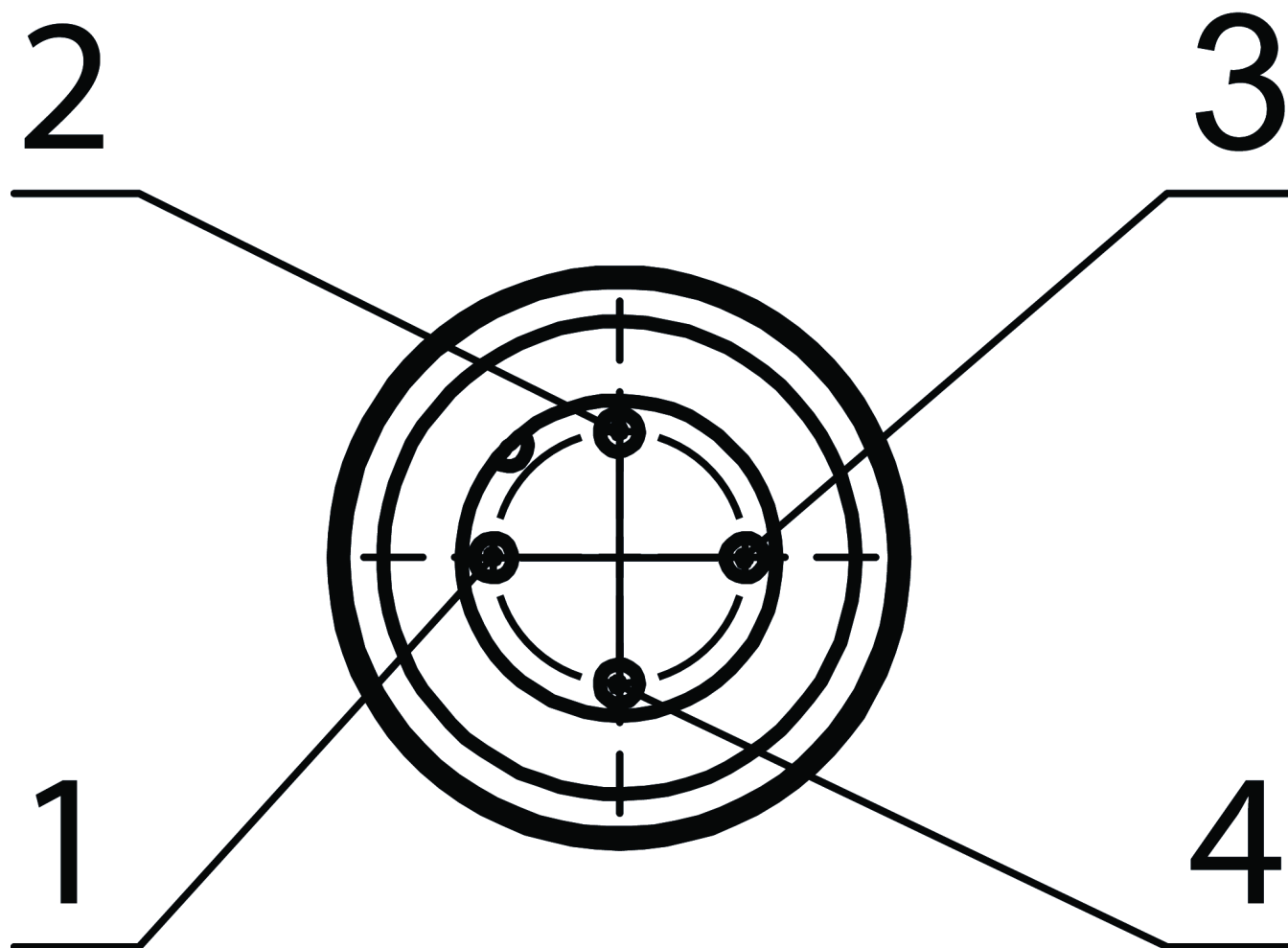


### Dimensional drawings



- 1 Female plug M12 4-pin
- 2 PUR cable 4x0.34 mm<sup>2</sup>
- 3 F = Function display yellow (NC contact)
- 4 F = Function display yellow (NO contact)
- 5 B = In operation display green

## Connection examples



1 = BN

2 = WH

3 = BU

4 = BK

## Technical data

### Approvals



### Electrical connection values

Rated voltage	DC	32 V
---------------	----	------

Test voltage		2 kV (eff./60s)
--------------	--	--------------------

#### Connection 1

Degree of contamination according to EN 60664-1		3
---	--	---

### Mechanical values and environment

Conductor cross-section		0.34 mm <sup>2</sup>
-------------------------	--	----------------------

Number of conductors		4
----------------------	--	---

Dynamic bending radius		10 x cable diameter
------------------------	--	---------------------

Static bending radius		5 x cable diameter
-----------------------	--	--------------------

Storage temperature		-25 ... 80 °C
---------------------	--	---------------

Cable type		straight
------------	--	----------

Cable diameter	approx.	4.7 mm
----------------	---------	--------

Cable length		5 m
--------------	--	-----

Drag chain suitability		Yes
------------------------	--	-----

Cable ambient temperature (dynamic)		-25 ... 80 °C
-------------------------------------	--	---------------

Cable ambient temperature (static)		-25 ... 80 °C
------------------------------------	--	---------------

Material	Sheath	PUR
----------	--------	-----

#### Connection 2

Conductor end		trimmed smooth
---------------	--	----------------

Connection type		flying lead
-----------------	--	-------------