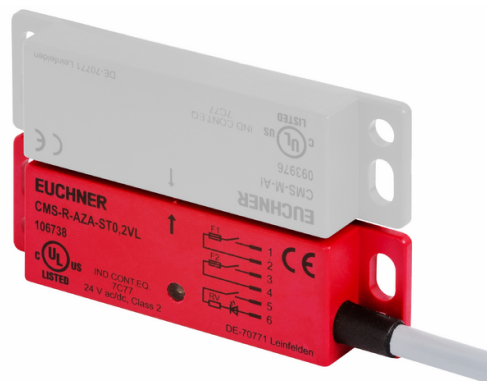


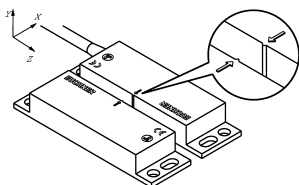
CMS-R-AZA-05VL (Order no. 094702)

Read heads, design A, for ESM, PVC

- ▶ In combination with evaluation units ESM-BA...
- ▶ Cube-shaped version, 88 x 25 mm
- ▶ Connecting cable
- ▶ 1 LED
- ▶ Cable type: PVC

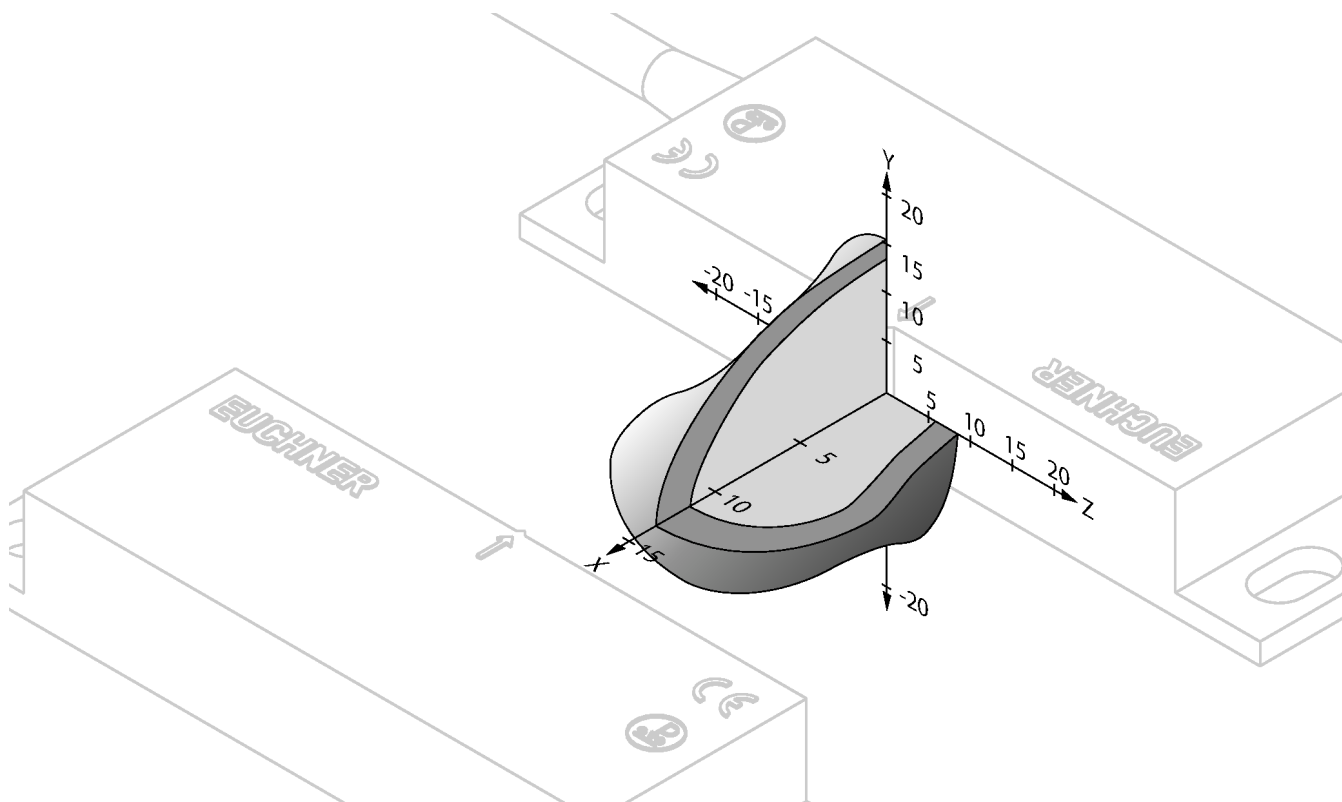


Alignment of read head and actuator



Operating diagram, design A

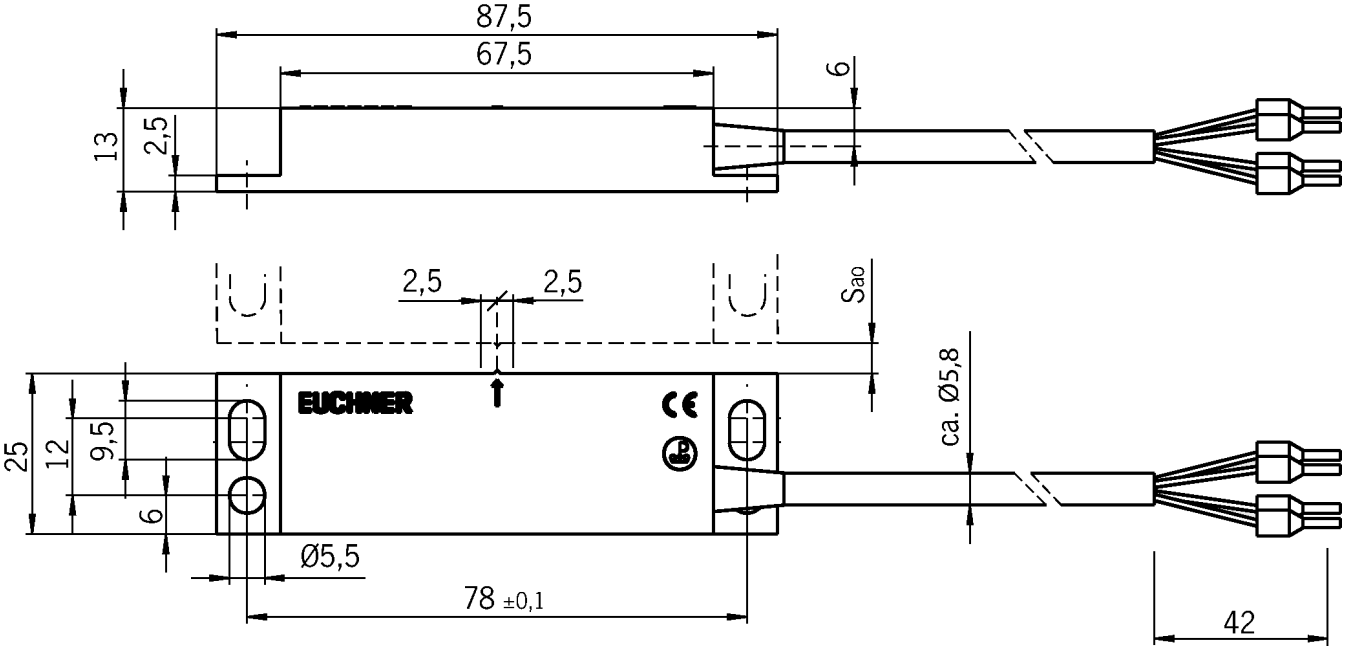
CMS-R-AZA



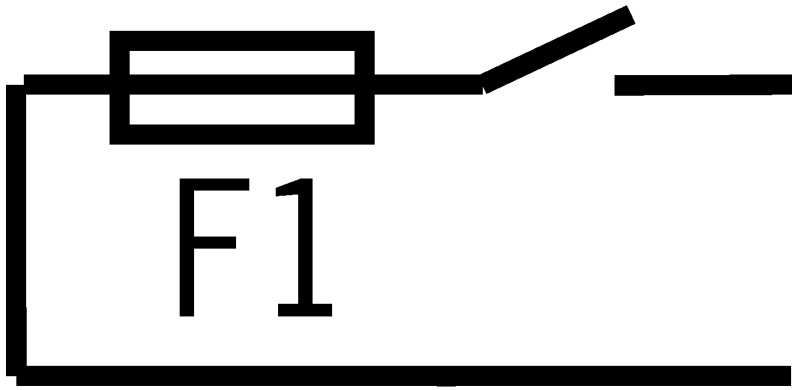
- ▶ Typ. operating distance

► Typ. release distance

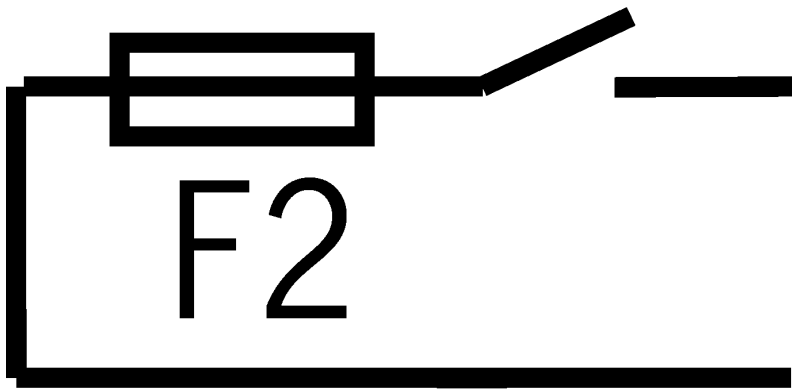
Dimensional drawings



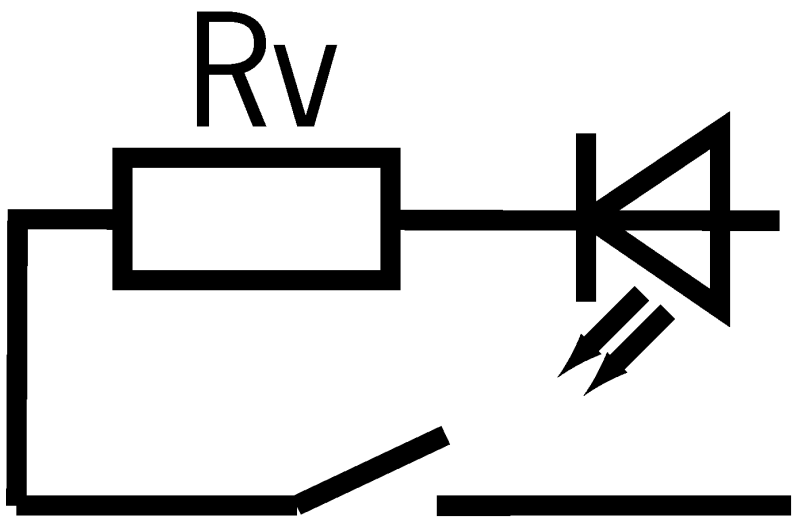
Connection examples



BN
WH



BU
BK



PK
GY