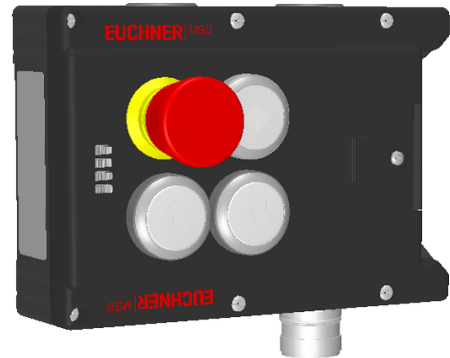


MGB-L1-APA-AP5A1-S1-R-121376 (Order no. 121376)

Locking module MGB-L1-APA.. (guard locking by spring force) with 3 pushbuttons, emergency stop, RC18

- ▶ Guard locking with guard lock monitoring
- ▶ Emergency stop according to ISO 13850
- ▶ 2 pushbuttons (illuminated)
- ▶ 1 pushbutton (not illuminated)
- ▶ With lens set, 6 pcs.
- ▶ With plug connector RC18
- ▶ Unicode



Guard locking type

MGB- L1... The locking arm is held in the locked position by spring force and is unlocked by solenoid force (closed-circuit current principle, mechanically locked).

Door hinge

A mechanical door stop is permanently integrated into the evaluation module of the MGB. A marking on the stop makes adjustment easier.

LED indicator

The LED indicator indicates all important system and status information.

Monitoring outputs

- OD ON when the door is closed
- OT Bolt tongue inserted into the evaluation module
- OI Diagnostics; there is a fault

Emergency stop device

S1 2 positively driven contacts, emergency stop with turn-to-reset, not illuminated

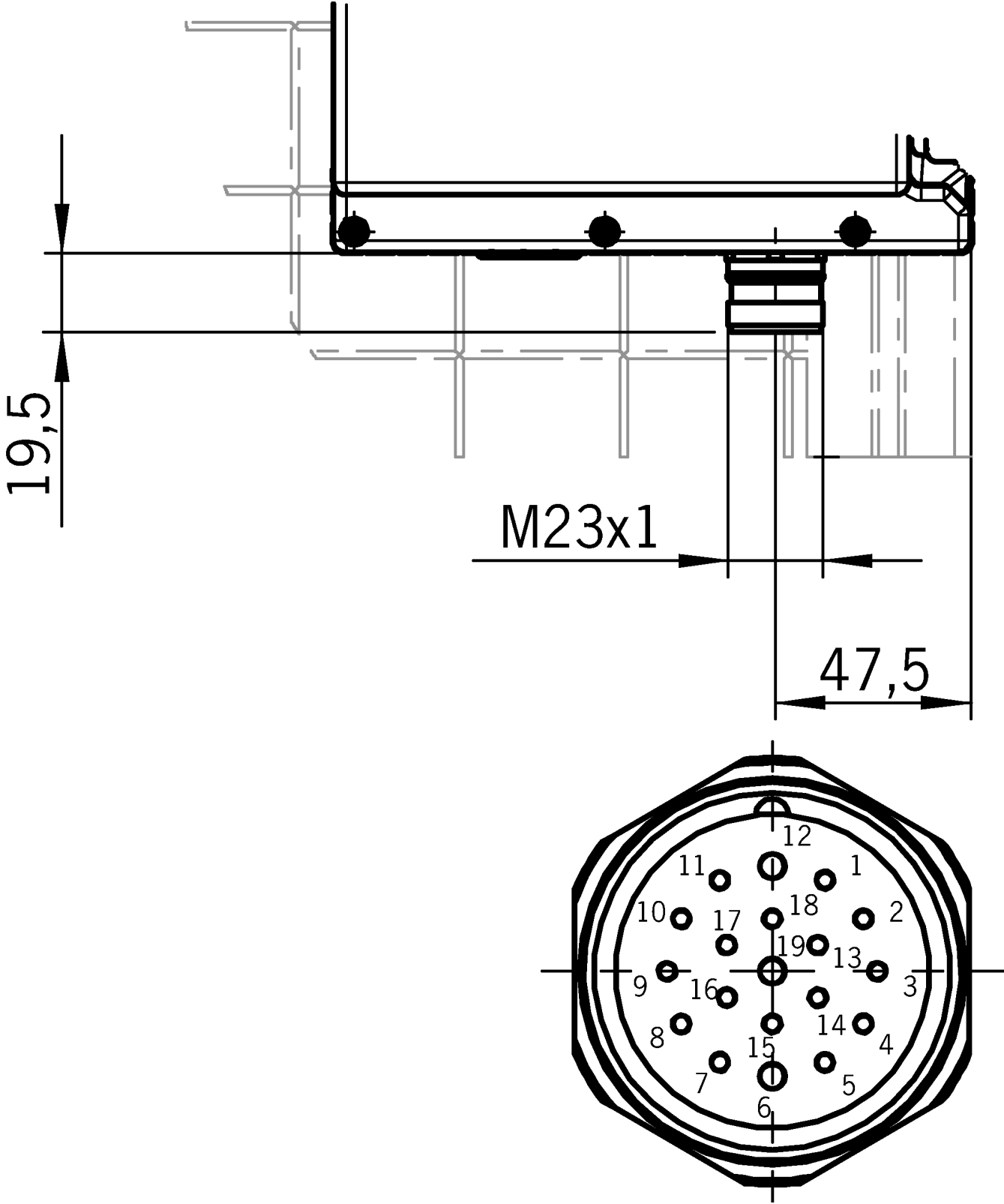
Pushbuttons

- S2 1 NO contact, illuminated
- S3 1 NO contact, illuminated
- S4 1 NO contact, not illuminated

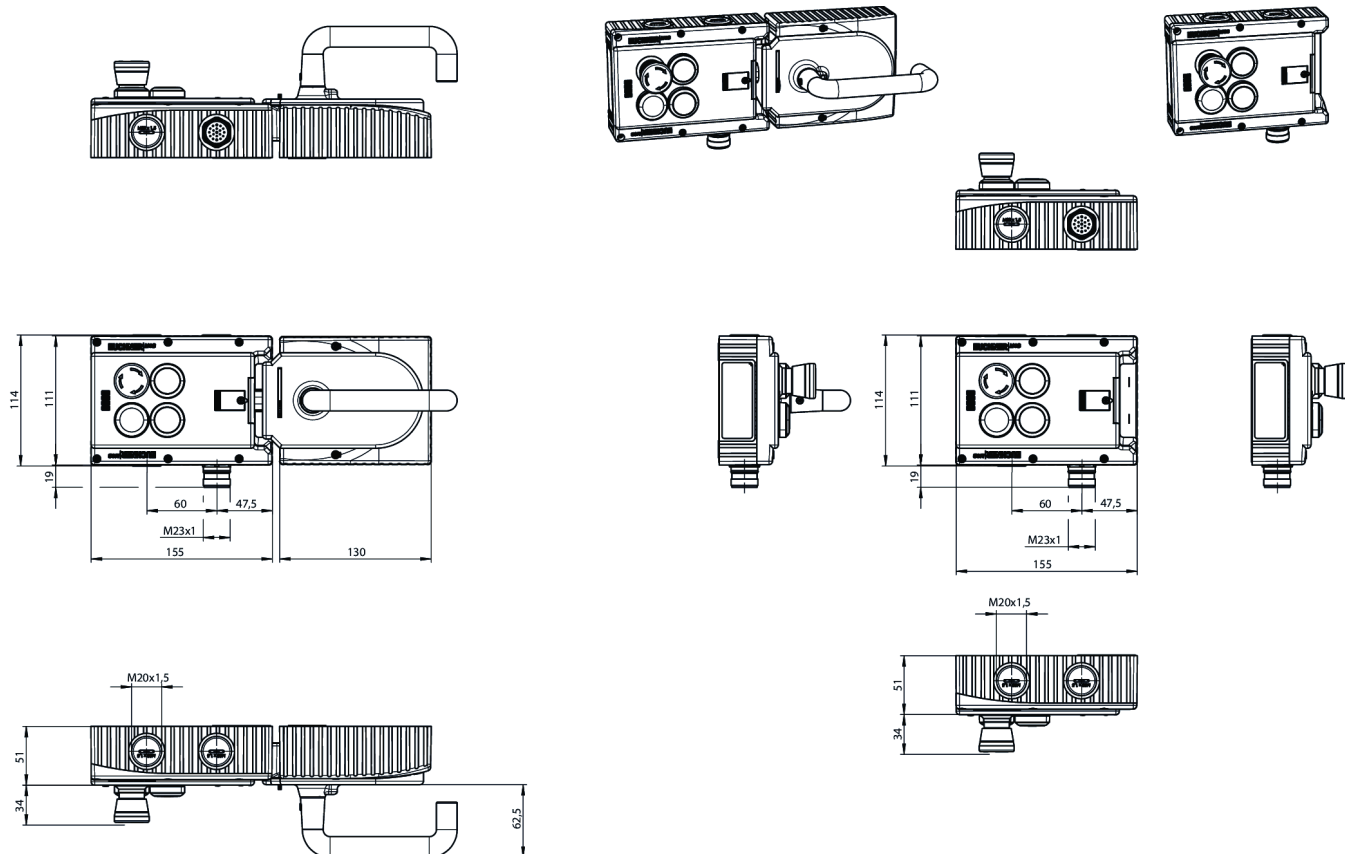
Lens set

The color of the pushbuttons can be selected using the color cover set included (5 colors). Item no.: 120344 (see Accessories)

Dimensional drawings



Dimensional drawings



Connection examples

