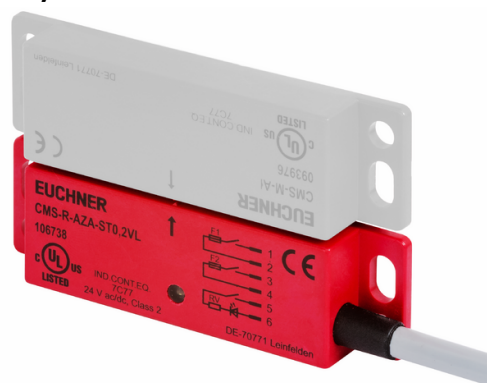


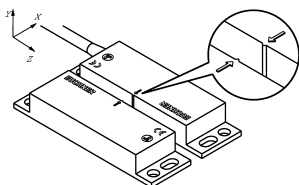
## CMS-R-AXH-05V (Order no. 085736)

### Read heads CMS design A – with NC/NO contacts, PVC

- ▶ In combination with evaluation units CMS-E-BR/CMS-E-ER/CMS-E-FR
- ▶ Cube-shaped version, 88 x 25 mm
- ▶ Connecting cable
- ▶ Cable type: PVC

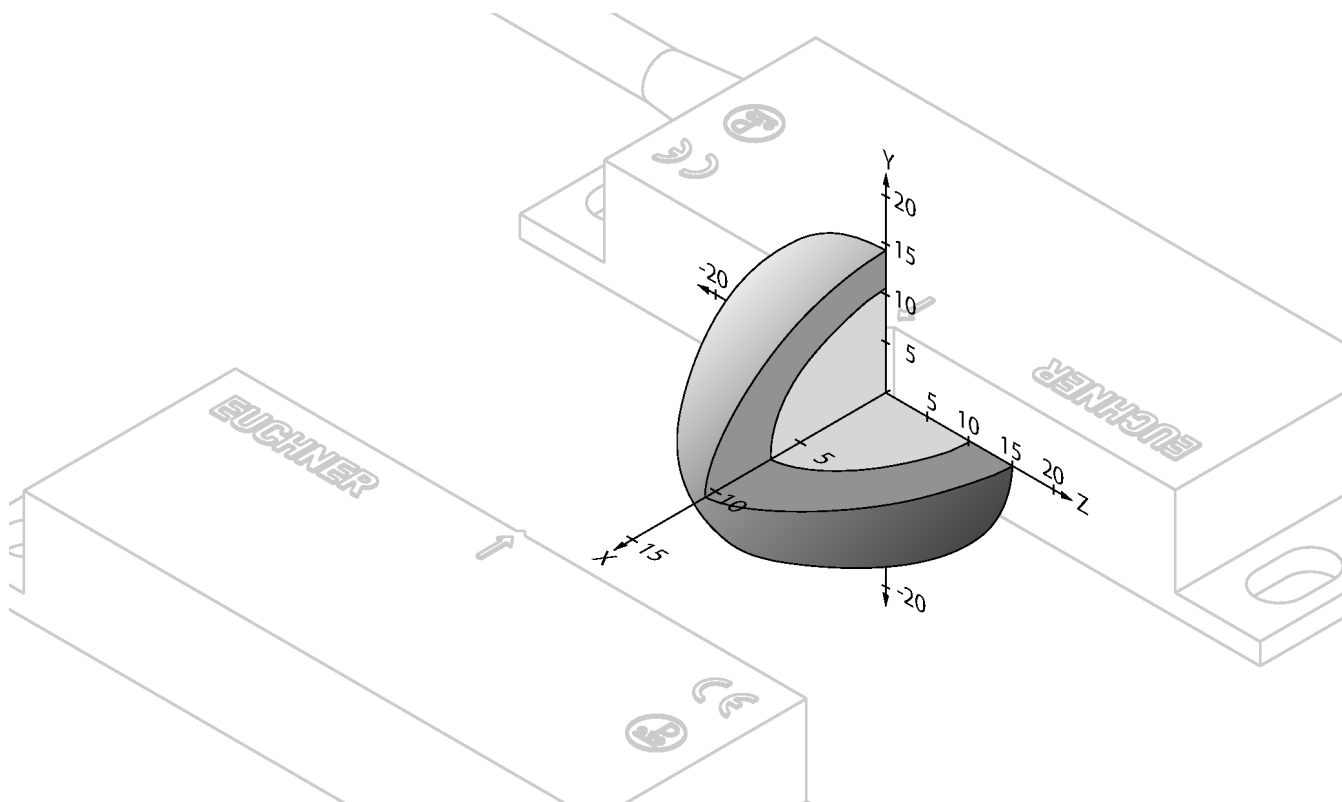


### Alignment of read head and actuator



### Operating diagram, design A

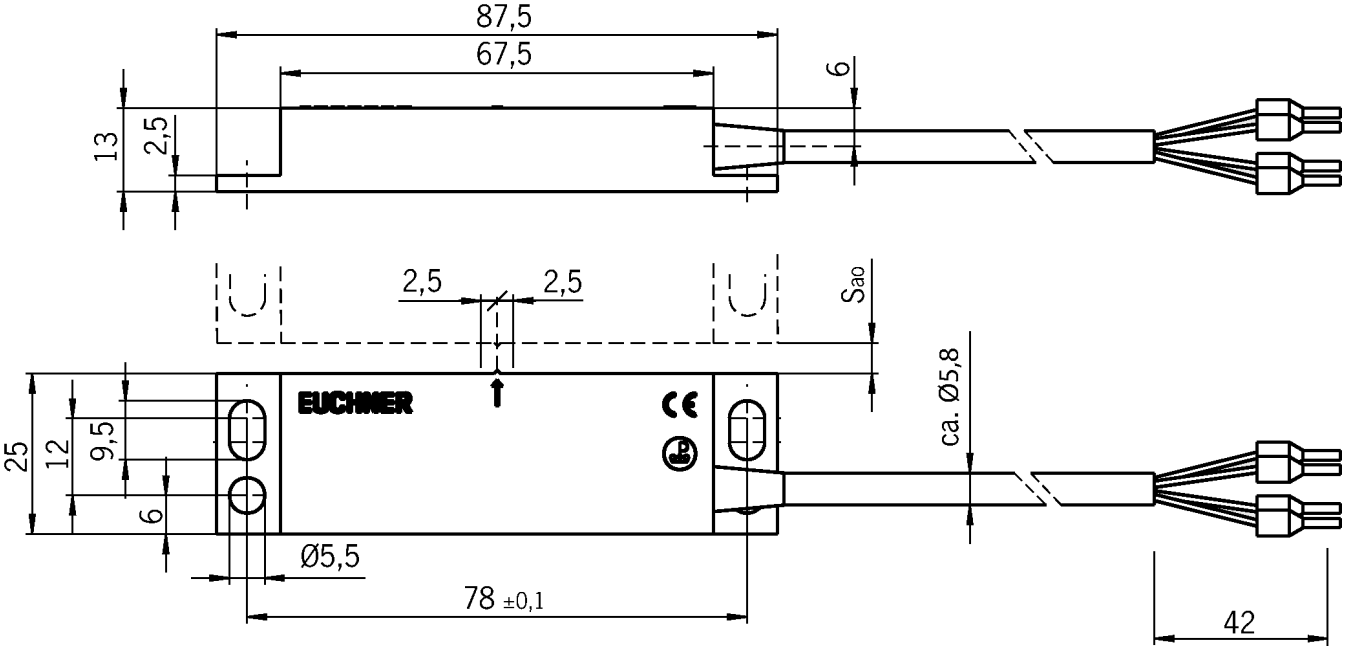
### CMS-R-AXH



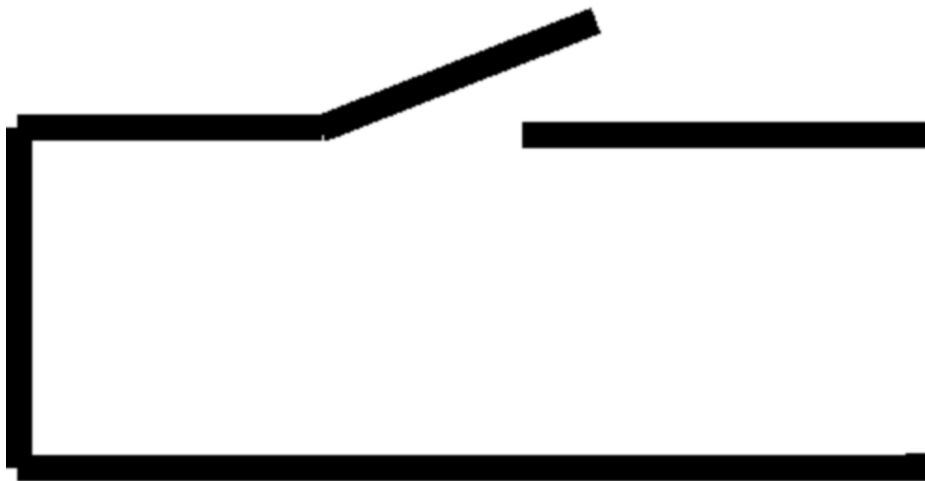
- ▶ Typ. operating distance

► Typ. release distance

**Dimensional drawings**

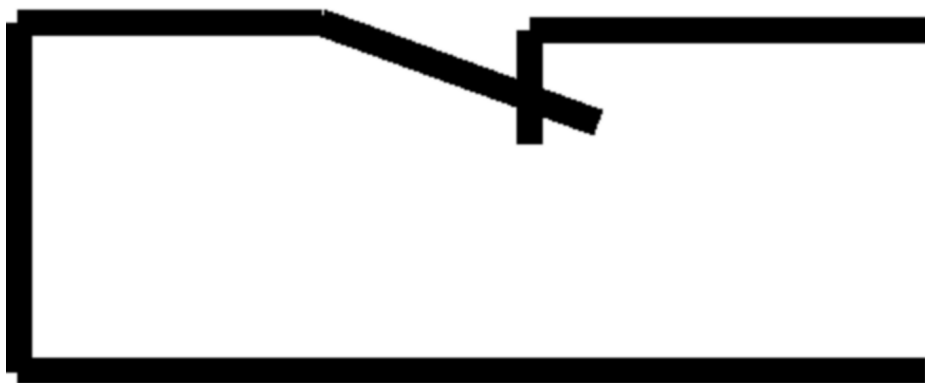


Connection examples



**BN**

**WH**



**BU**

**BK**