

## TK1-4131AB024SM8 (Order no. 115002)

### Safety switch TK, plug connector M12

- ▶ Plug connector M12, 8-pin
- ▶ Auxiliary release on the switch head
- ▶ Without prevention of inadvertent locking position (faulty closure protection)
- ▶ Guard locking pin right
- ▶ Closed-circuit current principle



### Guard locking principle

Power to unlock: On a guard with guard locking based on the closed-circuit current principle, the guard is locked by spring force until the guard locking solenoid is supplied with power. Unlocking is by solenoid force. The term mechanical guard locking is also used.

### Switching element


4131 Slow-action switching contact

Contacts for guard locking: 2 positively driven contacts  + 2 NO contact

### Auxiliary release with triangular wedge

The auxiliary release on the switch head makes it possible to access the machine if there is a malfunction, e.g. a power failure. Unlocking is performed using a tool or a key. The auxiliary release must be protected against misuse (sealing, lacquer).

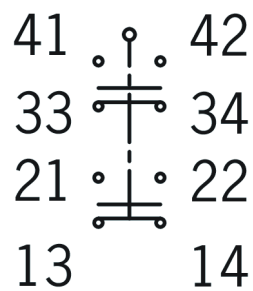
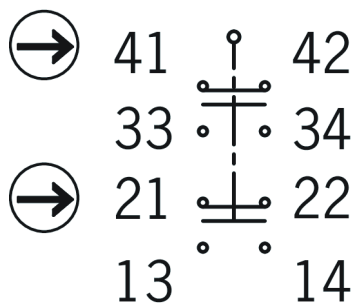
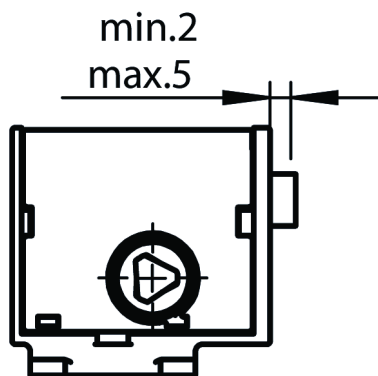
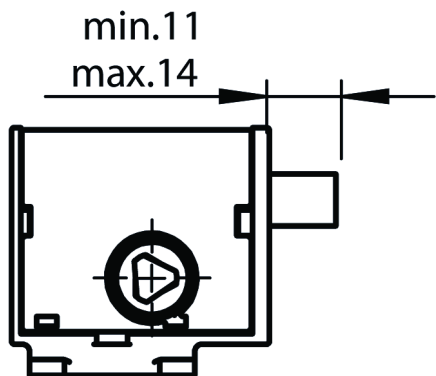
### Contact separation

When actuated, the contacts  are opened. Guard locking is not fully unlocked. The auxiliary release must be sealed to prevent tampering (e.g. with sealing lacquer).

### Without prevention of inadvertent locking position (faulty closure protection)

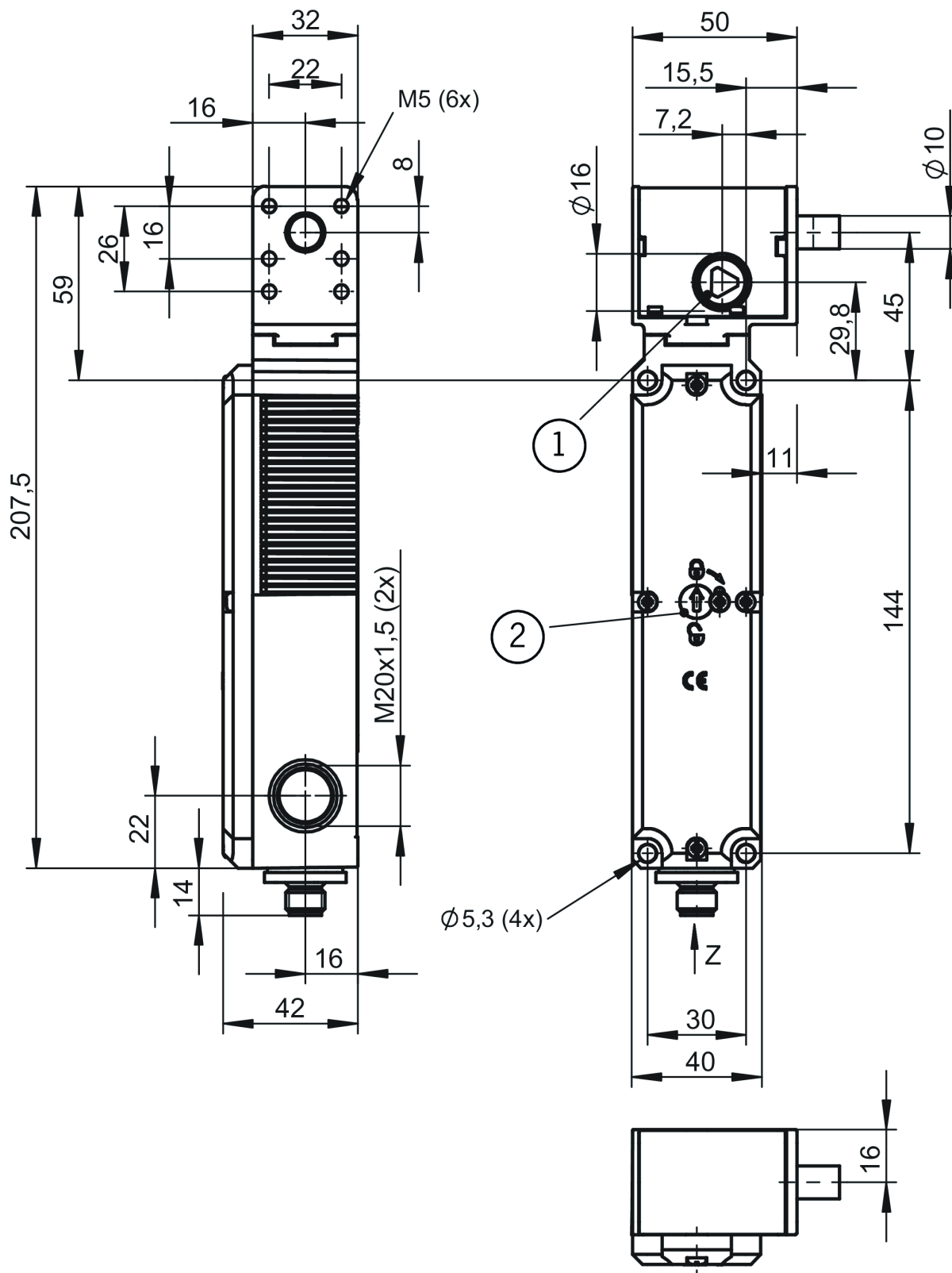
Safety switch TK does not have a prevention of inadvertent locking position (faulty closure protection). This must be implemented separately.

## Functional drawings



4131

## Dimensional drawings



1 Auxiliary release on both sides

2 Contact separation

Plug not aligned