

Project : _____
 Type : _____
 Drawn by : _____
 Catalogue No. : _____
 Date : _____



Specifications

Model No.		□ GRP4W10-120-D-5Way-FR
General	Watts	10W
	HID Equivalent	60 W
	Lumen	820L
	CCT	2700K/3000K/3500K/4000K/5000K
	Volts	120V
	CRI	>80
	Beam Angle	40°
	Hours Rated	50000 hours
	Min Compartment Size	Ø4.9"x1.8"
Electrical	Operating Frequency	50-60Hz
	Power Factor	>0.9
	Operating Position	Both Horizontal & Vertical
	Surge Protection	Built-in surge protection-2.5KV
Operating Temperature	-20°C /-4°F to 40°C/104°F	
Physical	Lens Material	PMMA
	Housing Color	White
	Weight (Kg)	0.49
Additional Information	Additional Info	5 way CCT
	Rated For Enclosed Fixture	Yes
	Warranty	5 years
Compliance	Safety Listing	CETLu s-Listed
	Location Rating	Wet
	Energy Star	YES
	DLC Approved	No
	DLC ID	No

Features & Specifications

Construction

- Construction: Steel with frosted lens
- Multiple LED array for uniform illumination
- Rotatable multi-axis gimbal ring
- CCT switches are placed discretely outside the driver housing

Mounting

- Easy installation for remodel or new construction applications
With 2700K/3000K/3500K/4000K/5000K 5CCT selectable

Performance Data

- Available in 2700k/3000k/3500k/4000k/5000k selectable color temperature
- 80+ CRI
- Electrical ratings: 120v
- Estimated life of over 100 000 hours to L70
- ELV&TRIACDimming
- 2.5kV surge protection (standard)
- Operating temperature: -20°C /-4°F to 40°C/104°F

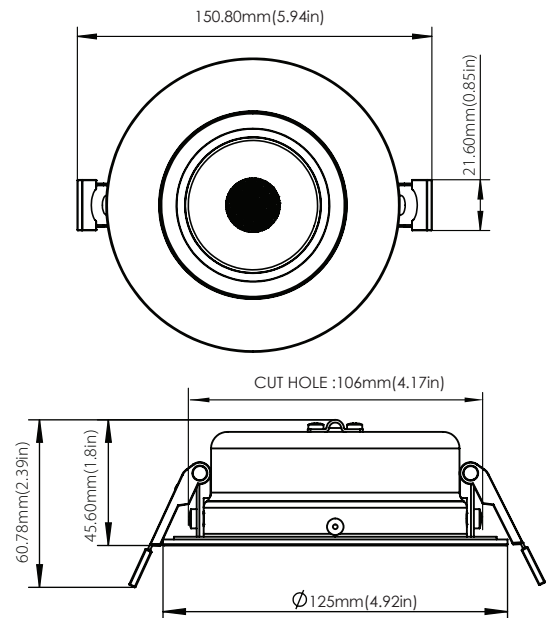
Compliances

- ETL certified for wet locations
- IP20
- ES listed
- UL 263 ,ASTM E119& CAN/ULC S 101

Dimensions & Weights

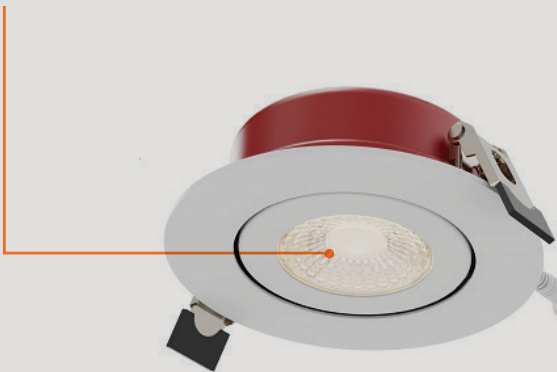
Model	GRP4W10
Diameter in.(mm)	4.92in(125mm)
Height in. (mm)	1.8in(45.6mm)
Net weight (lbs)	1.08

- Cut Hole : 106mm(4.17in)



Product Details

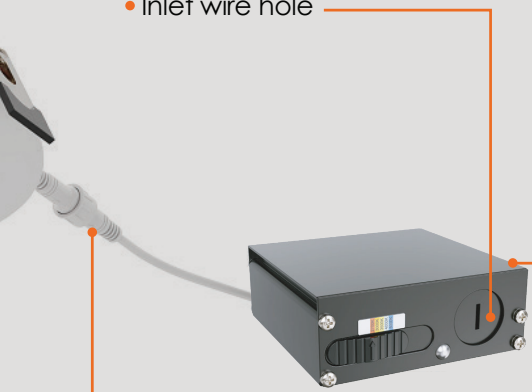
- The color of the light is more uniform softer



- Inlet wire hole

- IC Rated aluminium Junction Box

- Quick Connector to easy installation FT6 fire rated



- Iron frame for better fire rated frame



- Upgraded spring clips, the contact surface is larger and firmer

