

## HKD100V100G05 (Order no. 091527)

### Handwheel HKD

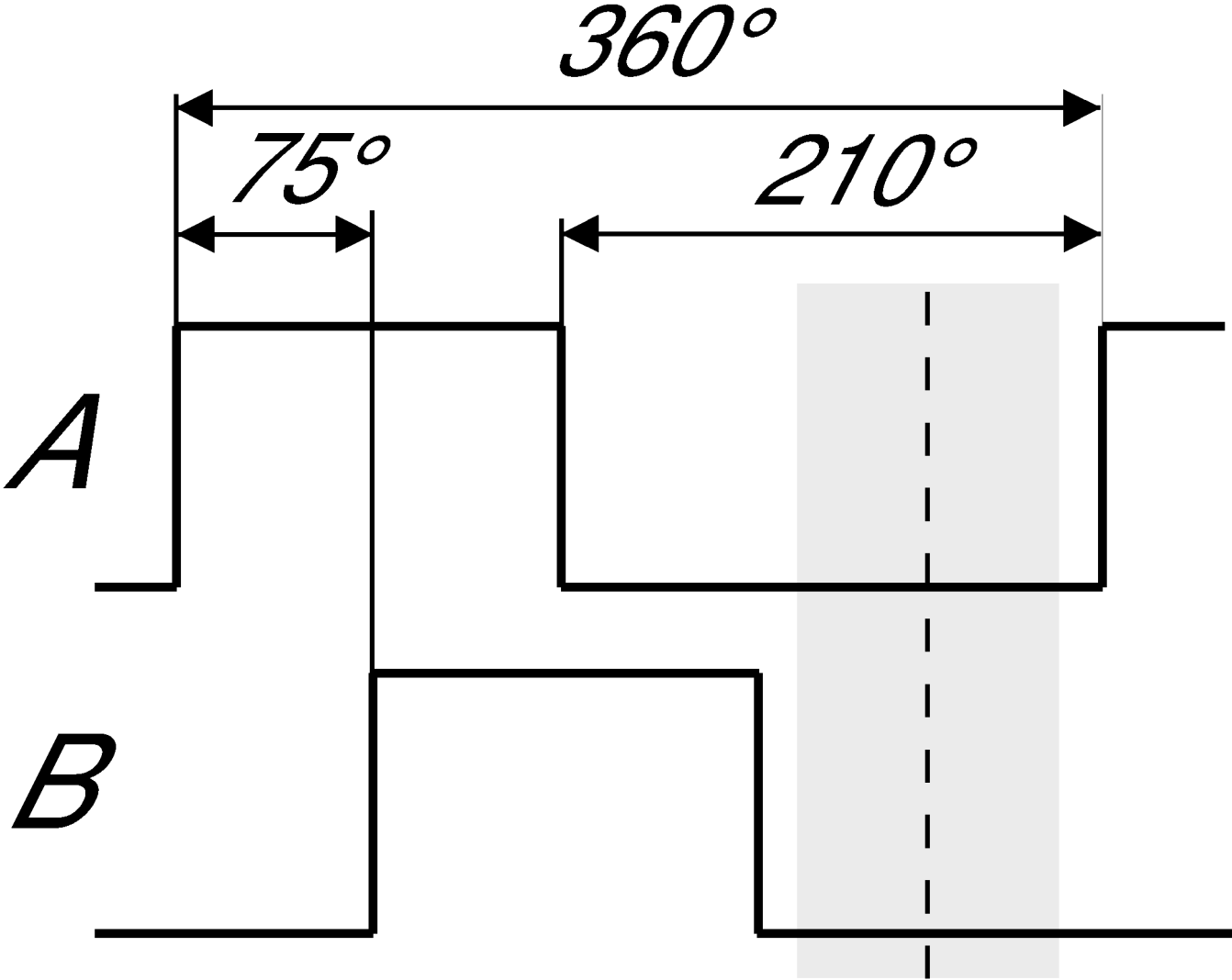
- ▶ 100 detents per revolution
- ▶ Wear-free magnetic detent mechanism
- ▶ 100 pulses per revolution
- ▶ Installation in operator panels and EUCHNER hand-held pendant stations series HBL



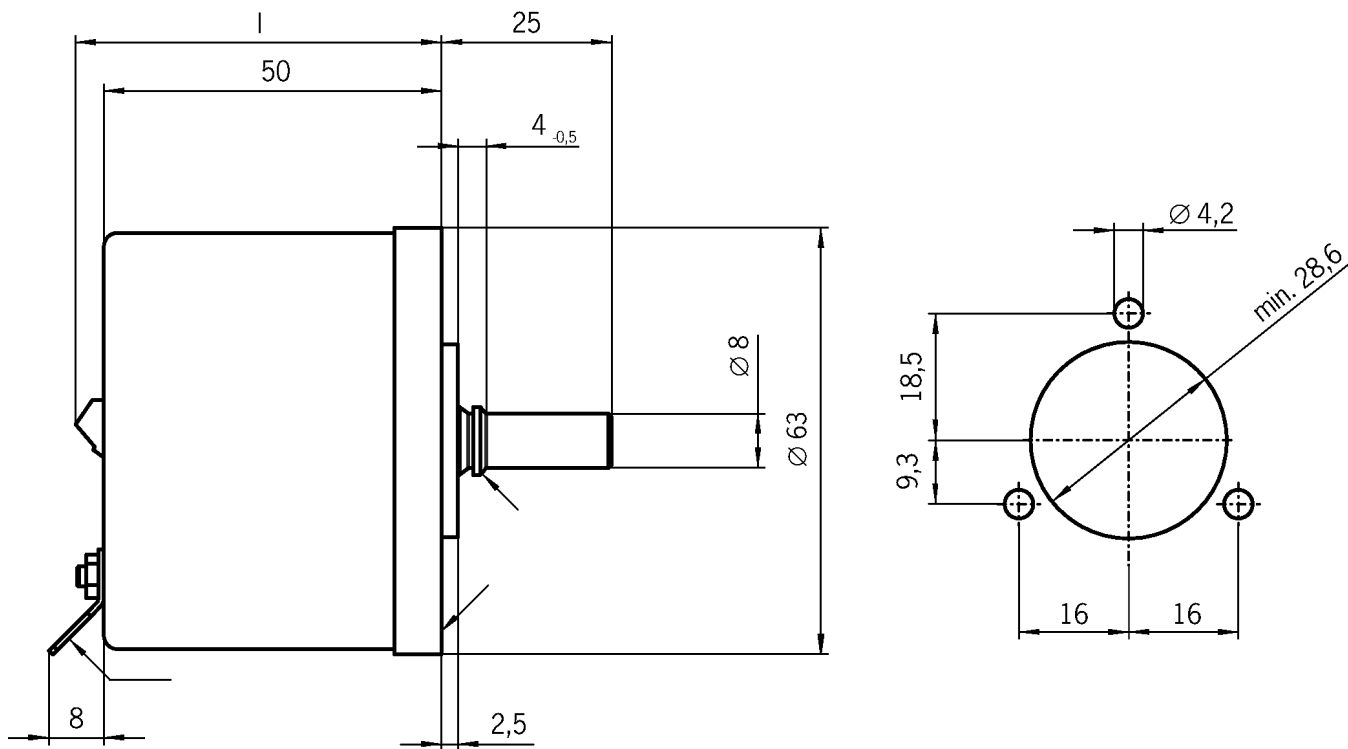
### Notes

- ▶ Output G05 suitable for Fanuc control systems

Functional drawings



## Dimensional drawings



## Connection examples

