

NZ2HS-528 (Order no. 090852)

Safety switch NZ.HS, lever arm with steel roller, plug connector SR6

- ▶ Lever arm, steel roller \varnothing 18 mm
- ▶ Version A according to EN 50041
- ▶ SR6 plug connector; 6-pin + PE
- ▶ 1 pos. driven contact
- ▶ 1 NO contacts



Approach direction



Horizontal

Can be adjusted in 90° steps

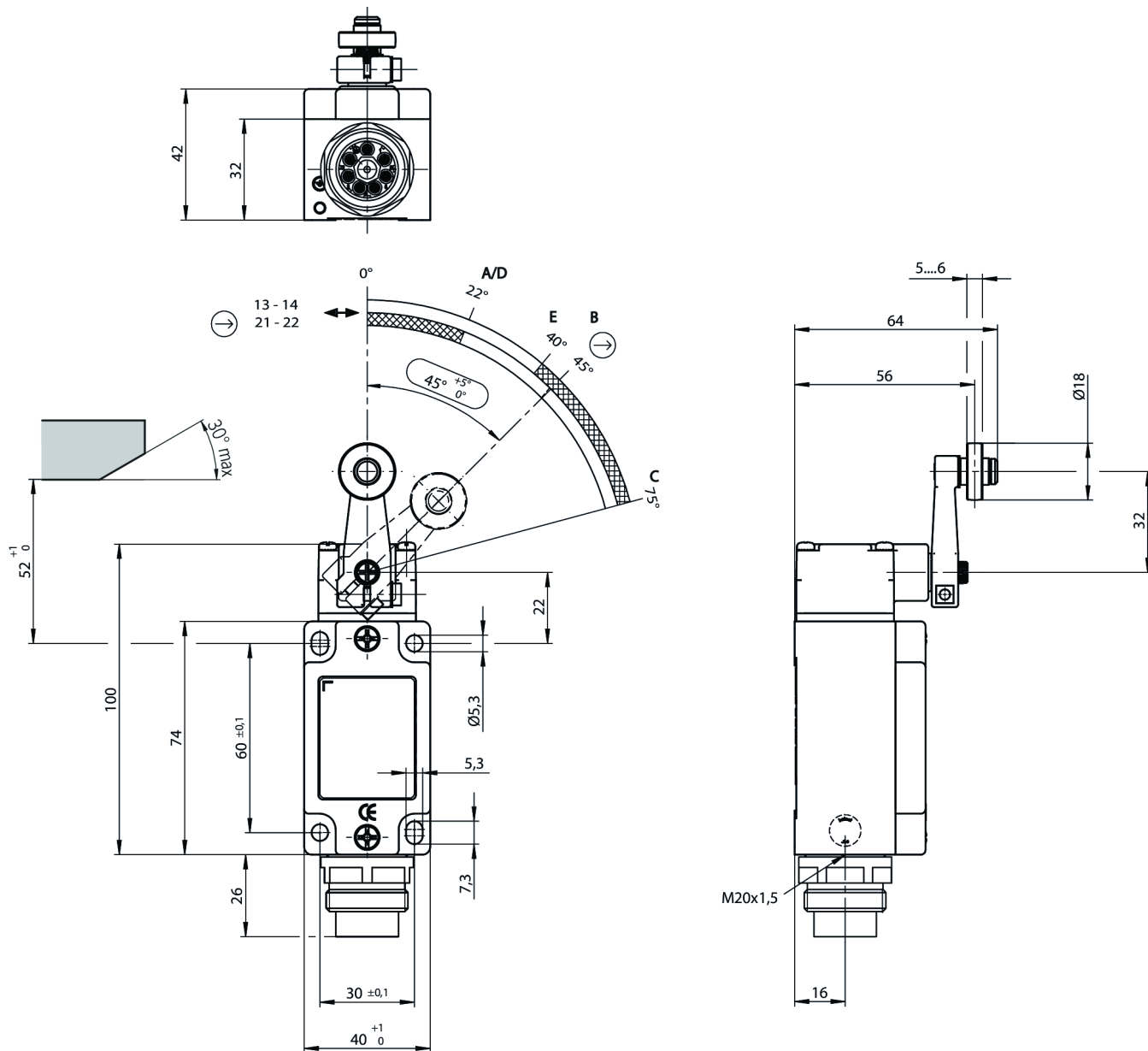
Switching direction adjustable

Right, left or both sides

Switching element

528H Slow-action switching contact 1 positively driven contact $\ominus \rightarrow$ + 1 NO contact

Dimensional drawings



- A=Operating point (NC contact)
- B=Positively driven travel
- C=End position
- D=Reset point
- E=Operating point (NO contact)

Connection examples

