

SN02K08-MC1094 (Order no. 088131)

Series SN... 8 mm, mechanical

- ▶ Plunger spacing 8 mm
- ▶ Upright housing, without flange
- ▶ Degree of protection IP67 according to IEC 60529

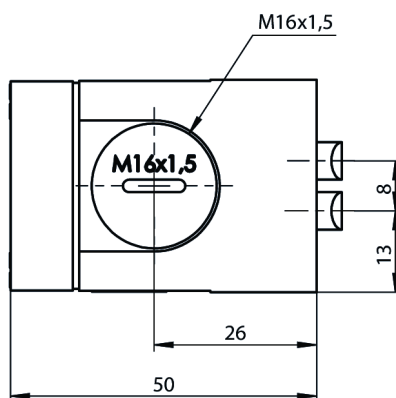
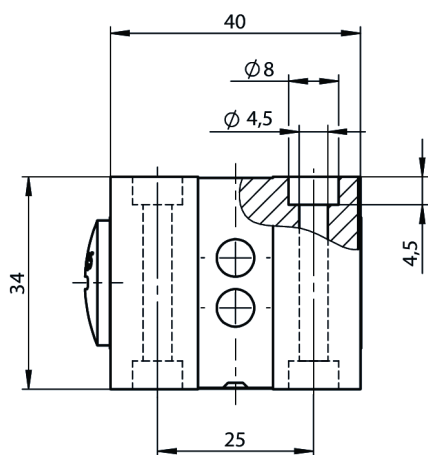
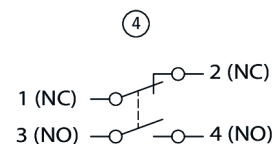
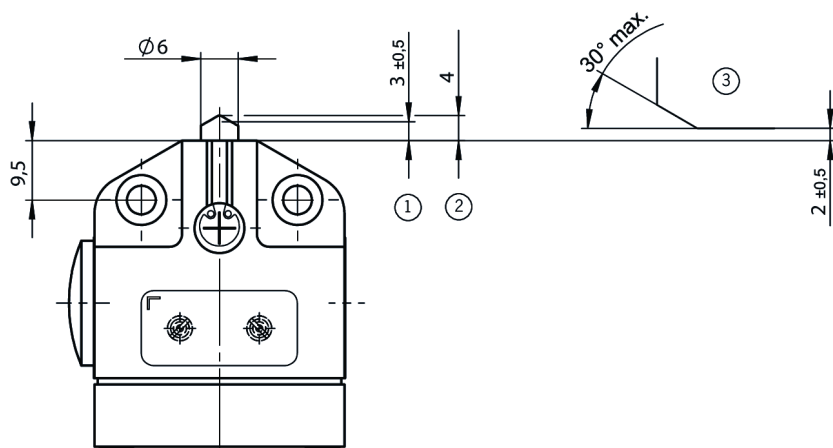
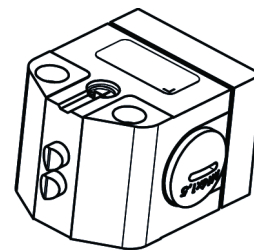


Switching elements

ES 552 Snap-action switching contact 1 changeover contact standard switching element

ES 614 Snap-action switching contact 1 changeover contact suitable for switching low currents

Dimensional drawings



1 Operating point

2 Max. free position

3 Dog

4 Switching element: ES558 with snap-action function, 1 NO contact + 1 NC contact

Connection examples

ES 552

