

CES-A-ABA-01 (Order no. 071850)

Evaluation unit CES-A-ABA-01 (for 1 read head)

- ▶ 1 read head can be connected
- ▶ 2 safety contacts (relay contacts)
- ▶ 1 internal normally open contact per safety contact
- ▶ Unicode evaluation unit
- ▶ Category 3 / PL e according to EN ISO 13849-1



Unicode evaluation unit

Each actuator is highly coded (unicode). The evaluation unit detects only actuators that have been taught-in. Max. 8 actuators can be taught-in.

Only the last actuator taught-in is detected.

Category according to EN ISO 13849-1

Due to two redundant relay outputs (safety outputs) with internally monitored contacts, suitable for:

- ▶ Category 3 / PL e according to EN ISO 13849-1

To achieve the stated category, both safety contacts must always be evaluated.

Actuating range

The evaluation unit enables a reduced actuating range.

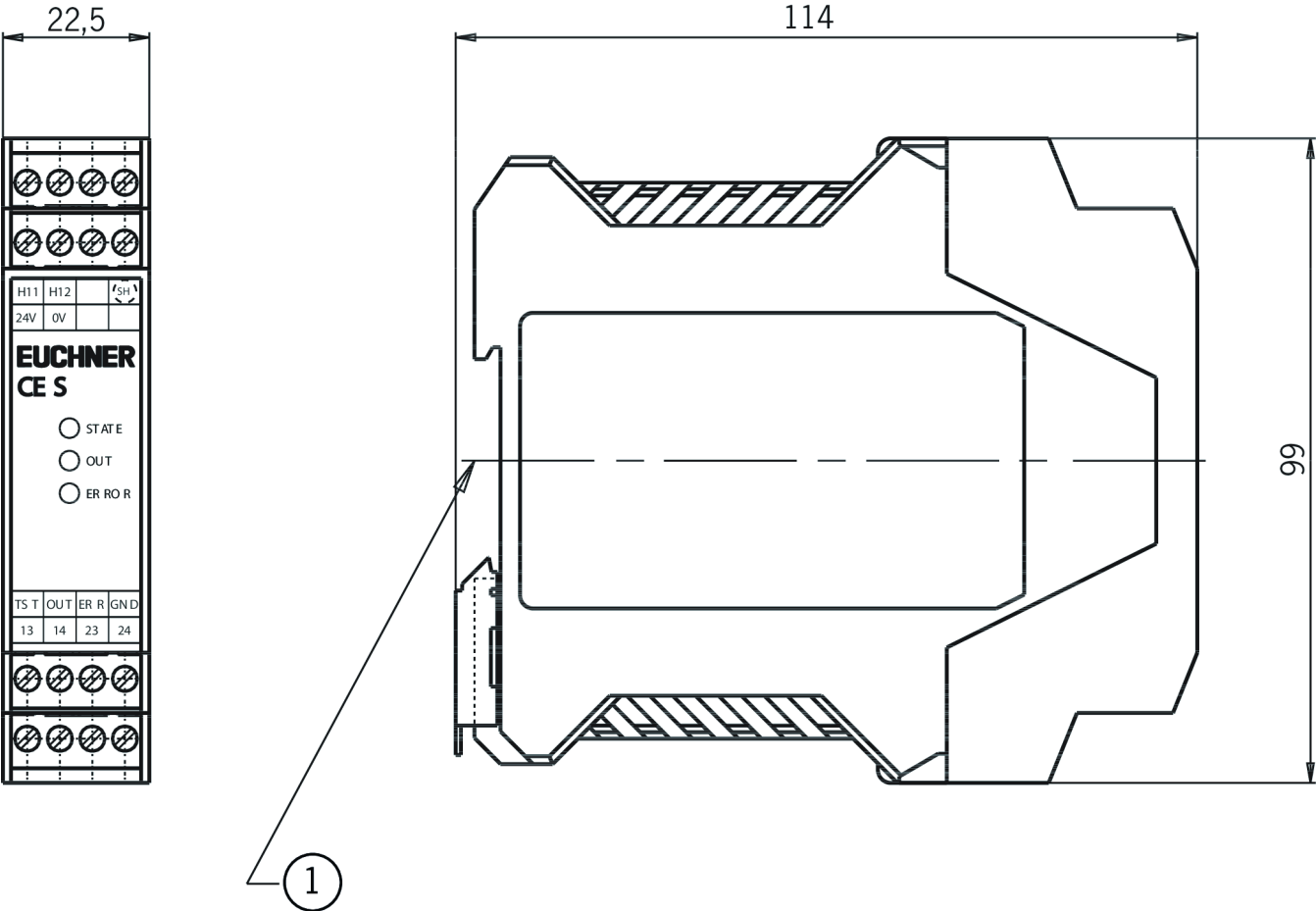
TST Input for self-test

OUT Monitoring output (semiconductor)

ERR Diagnostic output

GND Connected internally to 0V (not for high currents)

Dimensional drawings



1 Suitable for 35 mm mounting rail according to EN 60715

Connection examples

