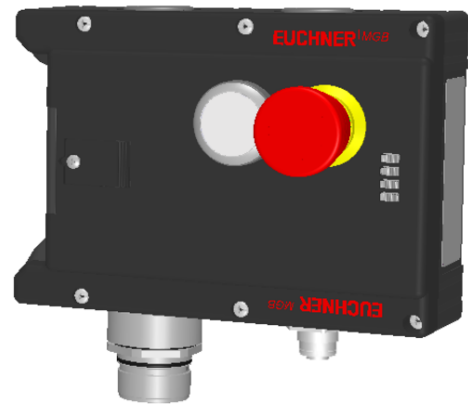


MGB-L1-ARA-AL3A1-S8-L-157887 (Order no. 157887)

Locking module MGB-L1-ARA... (guard locking by spring force) with 1 pushbutton, emergency stop, M12 for enabling switch, RC26

- ▶ Guard locking with guard lock monitoring
- ▶ Emergency stop according to ISO 13850
- ▶ 1 pushbutton (illuminated, wh)
- ▶ With plug connector RC26
- ▶ With plug connector M12 for enabling switch
- ▶ Unicode



Guard locking type

MGB- The locking arm is held in the locked position by spring force and is unlocked by solenoid force
L1... (closed-circuit current principle, mechanically locked).

Door hinge

A mechanical door stop is permanently integrated into the evaluation module of the MGB. A marking on the stop makes adjustment easier.

LED indicator

The LED indicator indicates all important system and status information.

Monitoring outputs

- OD ON when the door is closed
- OT Bolt tongue inserted into the evaluation module
- OL Guard locking solenoid in locked position
- OI Diagnostics; there is a fault

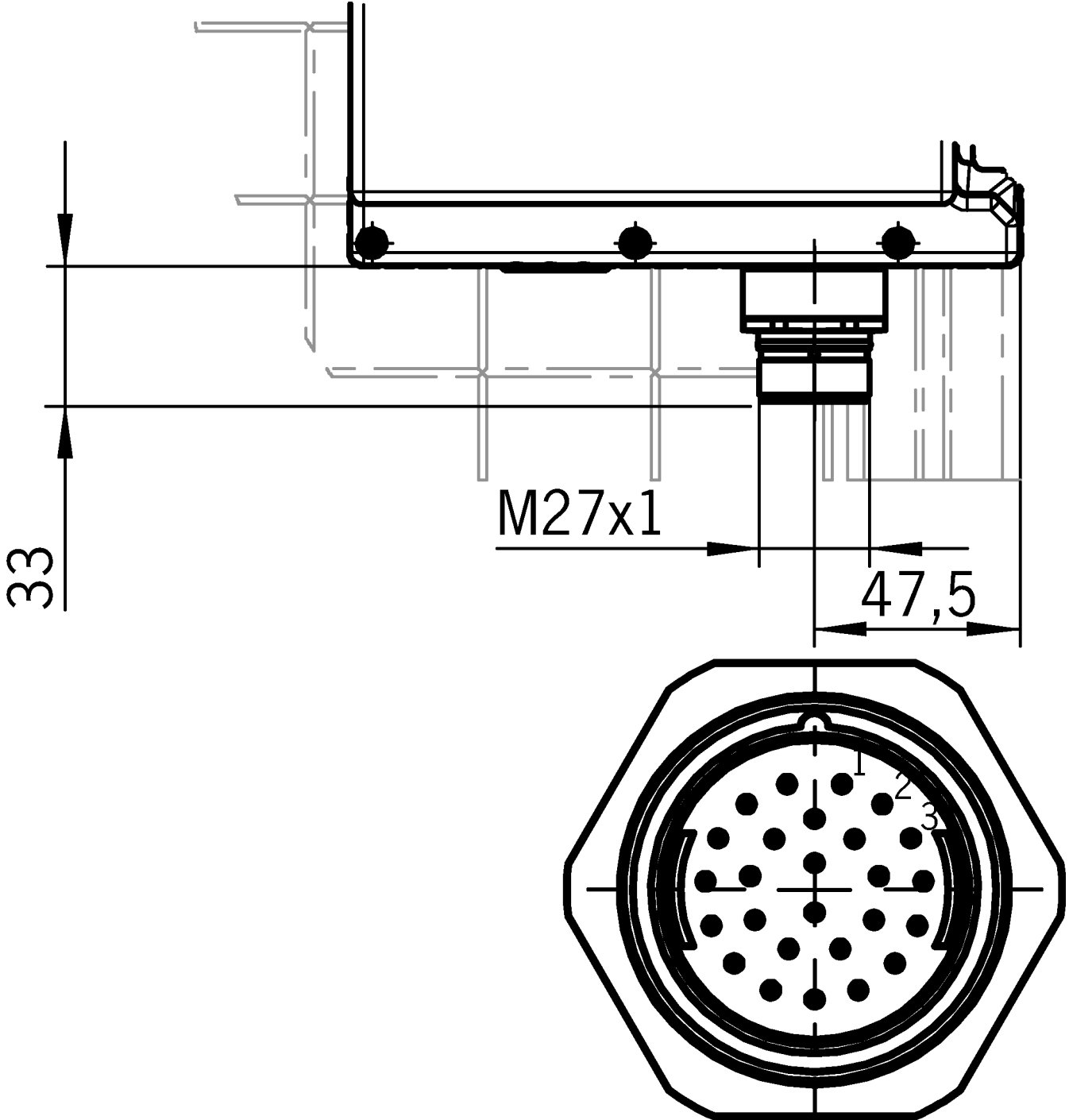
Pushbuttons

S2 1 NO contact, white, illuminated

Connection for enabling switch

The device has an M12 plug connector for the direct connection of an enabling switch (e.g. ZSA, order no.: 110560).

Dimensional drawings



Dimensional drawings

