

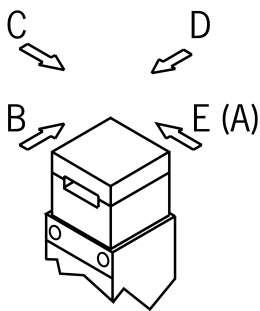
NZ1VZ-528E3VSE04L060-M (Order no. 082130)

Safety switch NZ.VZ.VSE, cable entry M20 x 1.5

- ▶ Cable entry M20 x 1.5
- ▶ 1 pos. driven contact
- ▶ 1 NO contacts
- ▶ LED indicator
- ▶ Guard locking for process protection
- ▶ Open-circuit current principle



Approach direction



Horizontal

Actuating head and solenoid can each be adjusted in 90° steps

LED indicator

The switch has a freely assignable LED indicator (red).

Guard locking principle

Open-circuit current (power on to lock): On a guard with guard locking based on the open-circuit current principle, the guard is locked until the power supply to the guard locking solenoid is interrupted. Unlocking is by spring force. The term electrical guard locking is also used.

Switching element

528H Slow-action switching contact 1 positively driven contact $\ominus \rightarrow$ + 1 NO contact

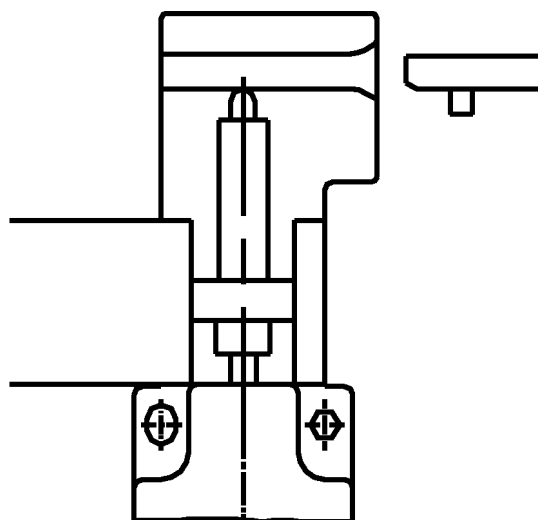
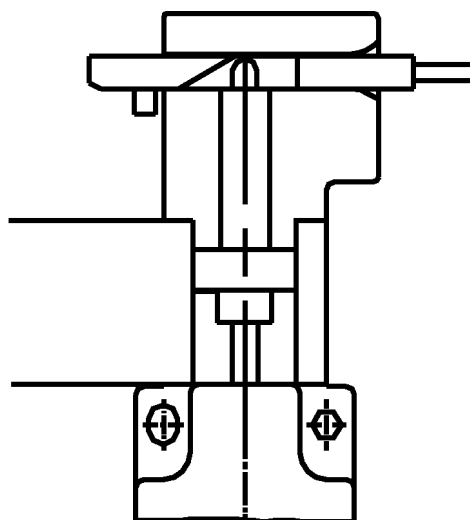
Guard locking for process protection

The safety switch meets the requirements for interlocking devices with guard locking for process protection. It does not possess safe guard lock monitoring.

Accessories required

Actuator and solenoid plug are not included.

Functional drawings



511
528

