

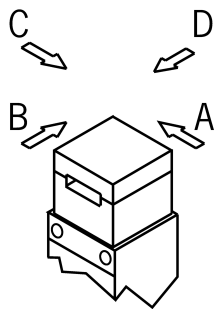
TZ1RE110PGOR8C (Order no. 074916)

Safety switch TZ, plug connector BHA (MR8), manual release

- ▶ Plug connector BHA (MR8)
- ▶ Manual release
- ▶ LED indicator
- ▶ Actuating head fitted right
- ▶ Closed-circuit current principle



Approach direction



Horizontal

Can be adjusted in 90° steps

Guard locking principle


Power to unlock: On a guard with guard locking based on the closed-circuit current principle, the guard is locked by spring force until the guard locking solenoid is supplied with power. Unlocking is by solenoid force. The term mechanical guard locking is also used.

LED indicator

The LED indicator illuminates red when the safety door is open or closed. It switches off when the safety door is locked. The LED indicator illuminates green when voltage is applied to pin 2.

Switching element

SK 528 Slow-action switching contact

Contacts for door monitoring: 1 positively driven contact  + 1 NO contact

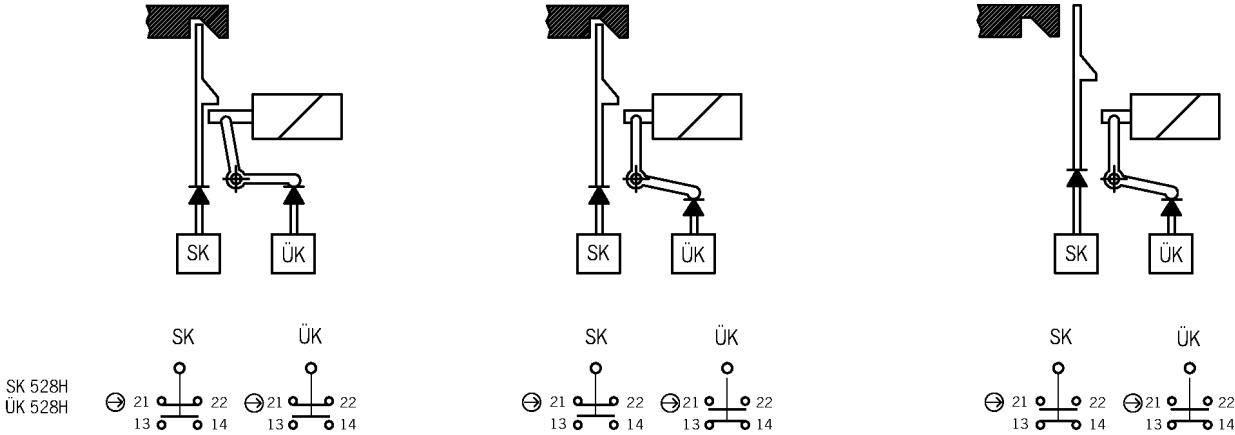
ÜK 528 Slow-action switching contact

Contacts for guard locking: 1 positively driven contact  + 1 NO contact

Accessories required

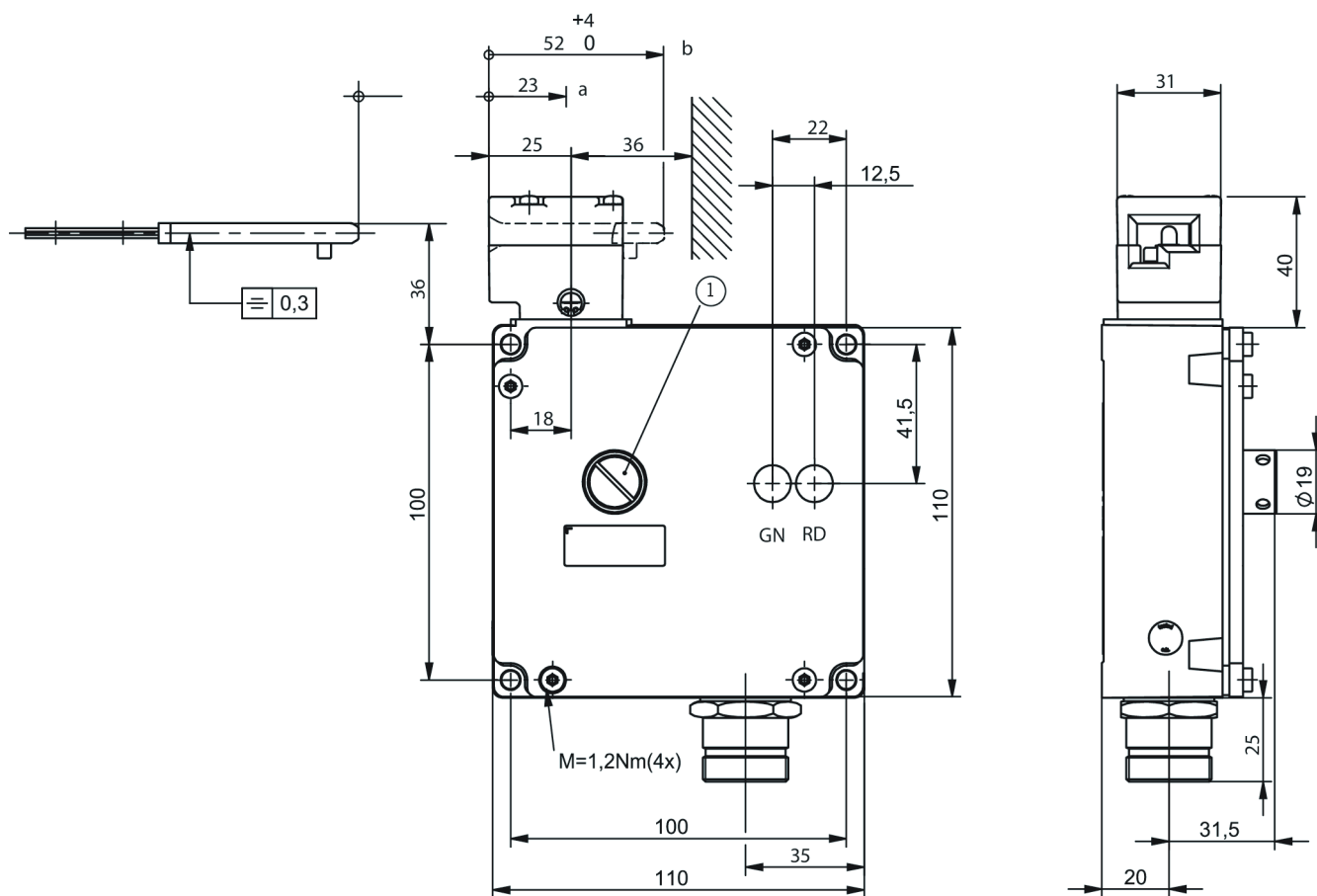
Actuator is not included.

Functional drawings

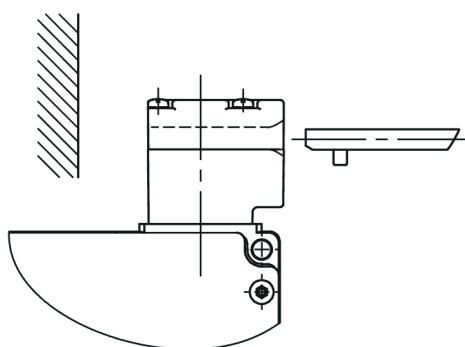


Dimensional drawings

TZ.L...



TZ.R...



1 Manual release cannot be sealed