

## CET1-AX-LRA-00-50X-SF (Order no. 104051)

### Read head CET1-AX-..., M12, with guard locking and guard lock monitoring

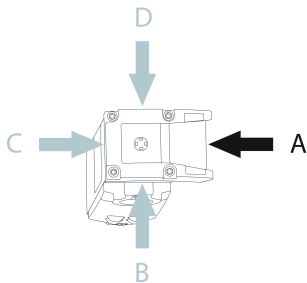
- ▶ Read head with guard locking
- ▶ Locking force up to 6500 N
- ▶ Category 4 / PL e according to EN ISO 13849-1
- ▶ With plug connector M12 (can be rotated by 360°)
- ▶ 2 LEDs (1 freely configurable)
- ▶ Approach direction A (delivery state)



### Combination options

Suitable for connection to a CES-AZ evaluation unit

### Approach direction



Horizontal

Can be adjusted in 90° steps

### Solenoid operating voltage

- ▶ DC 24 V +10%, -15%

### Guard locking type

CET1 Closed-circuit current principle, guard locking by spring force. Release by applying voltage to the guard locking solenoid.

### LED function display

LED red illuminates when the solenoid is energized

LED green freely configurable

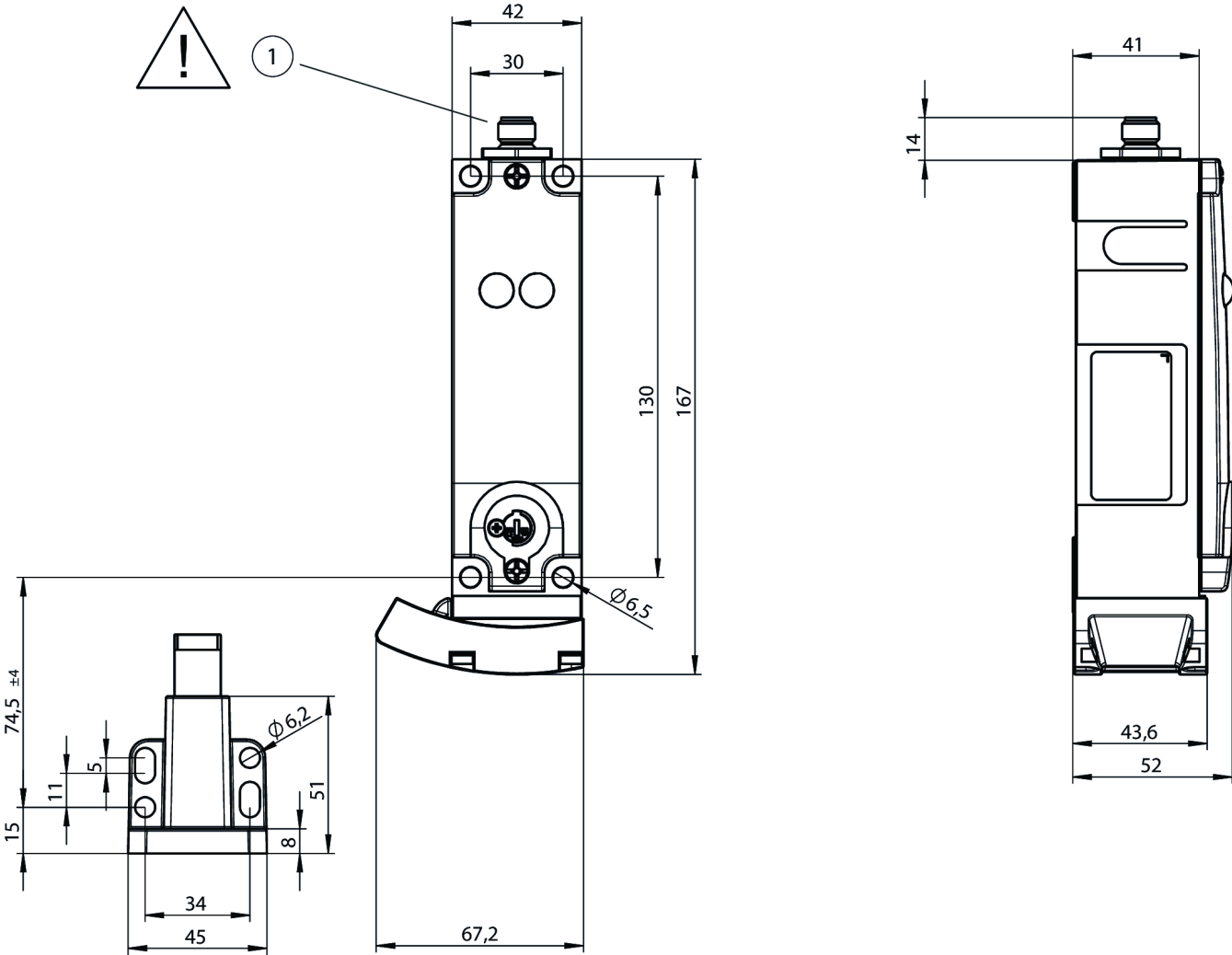
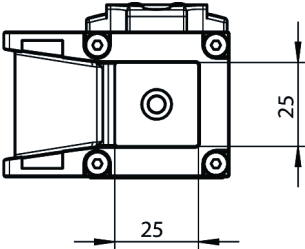
## Notes

- ▶ Special connecting cables from EUCHNER are required for the connection. Please take into account in the order!
- ▶ The device may be operated only in conjunction with the actuator CET-A-.... The actuator must be ordered separately.

## Auxiliary release

This is used for releasing the guard locking with the aid of a tool. The auxiliary release must be sealed to prevent tampering (for example with sealing lacquer).

**Dimensional drawings**



1 Plug connector M12, 8-pin, can be rotated by 360°