

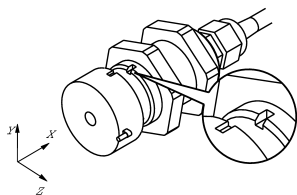
CMS-R-CXA-03V (Order no. 084574)

Read heads CMS design C – with NO contact combinations, PVC

- ▶ In combination with evaluation units CMS-E-AR
- ▶ Cylindrical version M25
- ▶ NO contacts wired in parallel
- ▶ Connecting cable
- ▶ Cable type: PVC

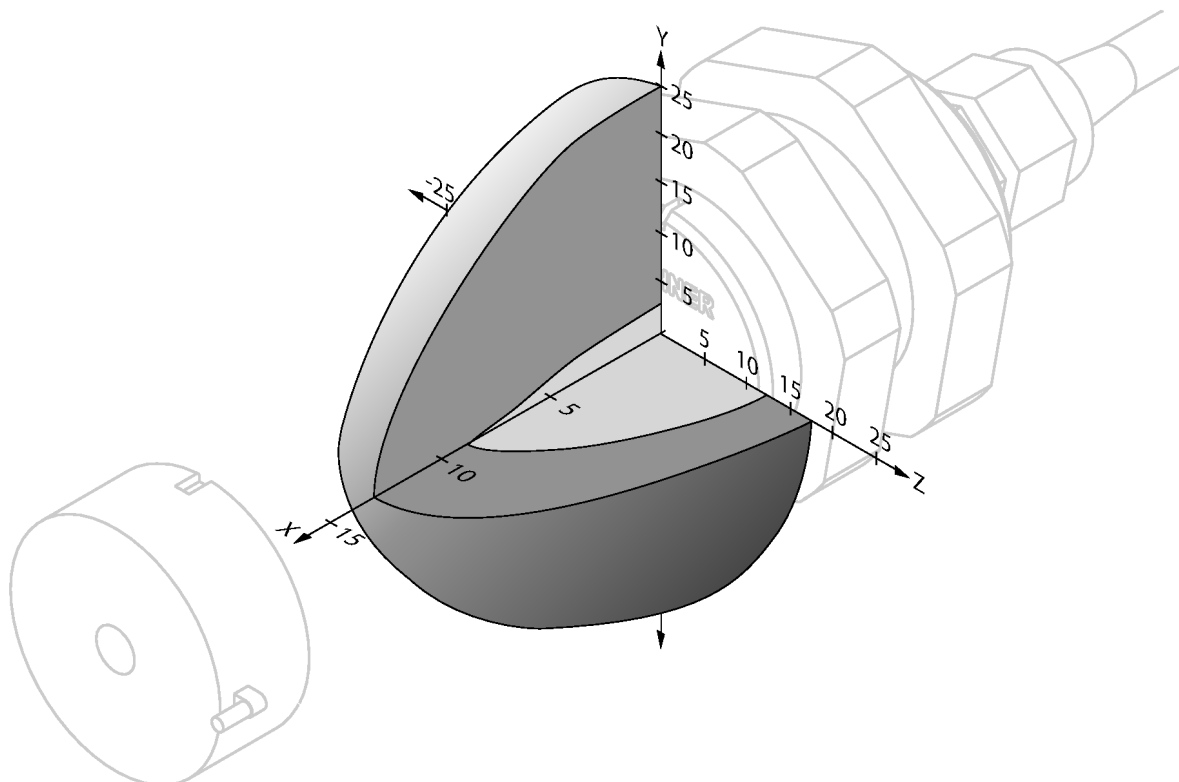


Alignment of read head and actuator



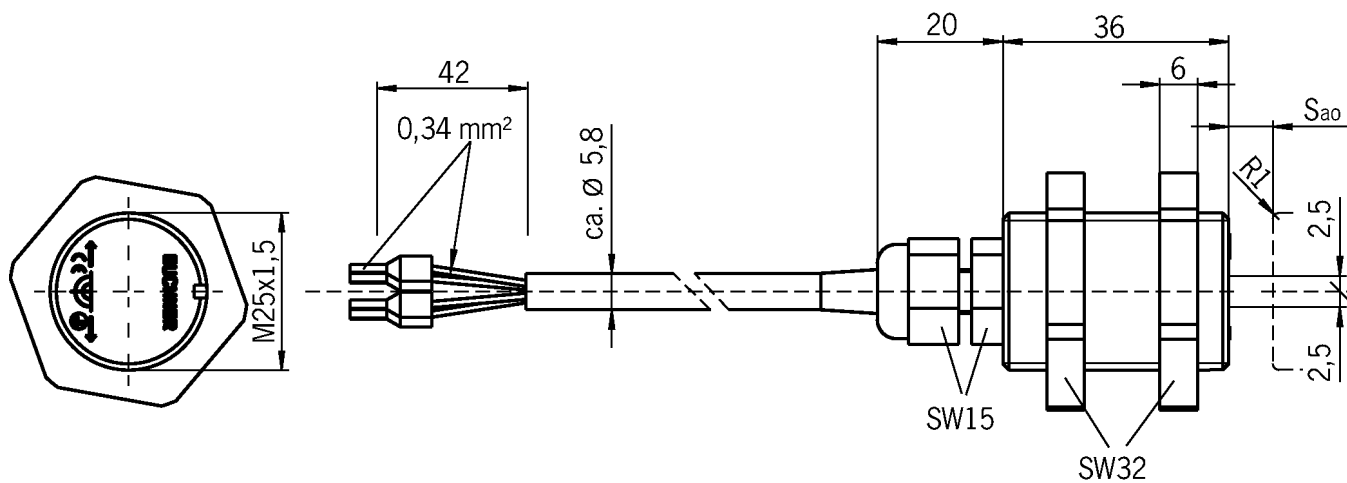
Operating diagram, design C

CMS-R-CXA



- ▶ Typ. operating distance
- ▶ Typ. release distance

Dimensional drawings



Connection examples

