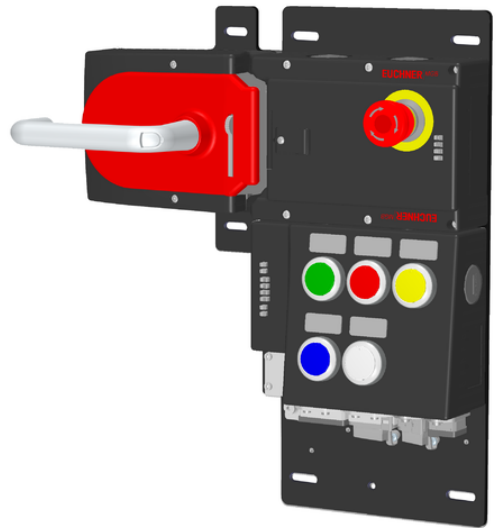


## MGB-L2HB-PNA-L-113991 (Order no. 113991)

### Locking set MGB-L2...-PN... (guard locking by solenoid force) with 6 controls or indicators, push-pull plug

- ▶ Guard locking with guard lock monitoring
- ▶ Emergency stop according to ISO 13850, illuminated
- ▶ 2 illuminated pushbuttons
- ▶ 2 pushbutton, not illuminated
- ▶ 1 indicator
- ▶ including adhesive labels
- ▶ Push-pull plug
- ▶ Pre-assembled on mounting plates
- ▶ Integrated Profinet RT switch
- ▶ Unicode



#### Profinet connection

Connection via push-pull plugs according to IEC 61076-3-117

#### Profinet RT switch

Point-to-point topology network structure due to integrated RT switch.

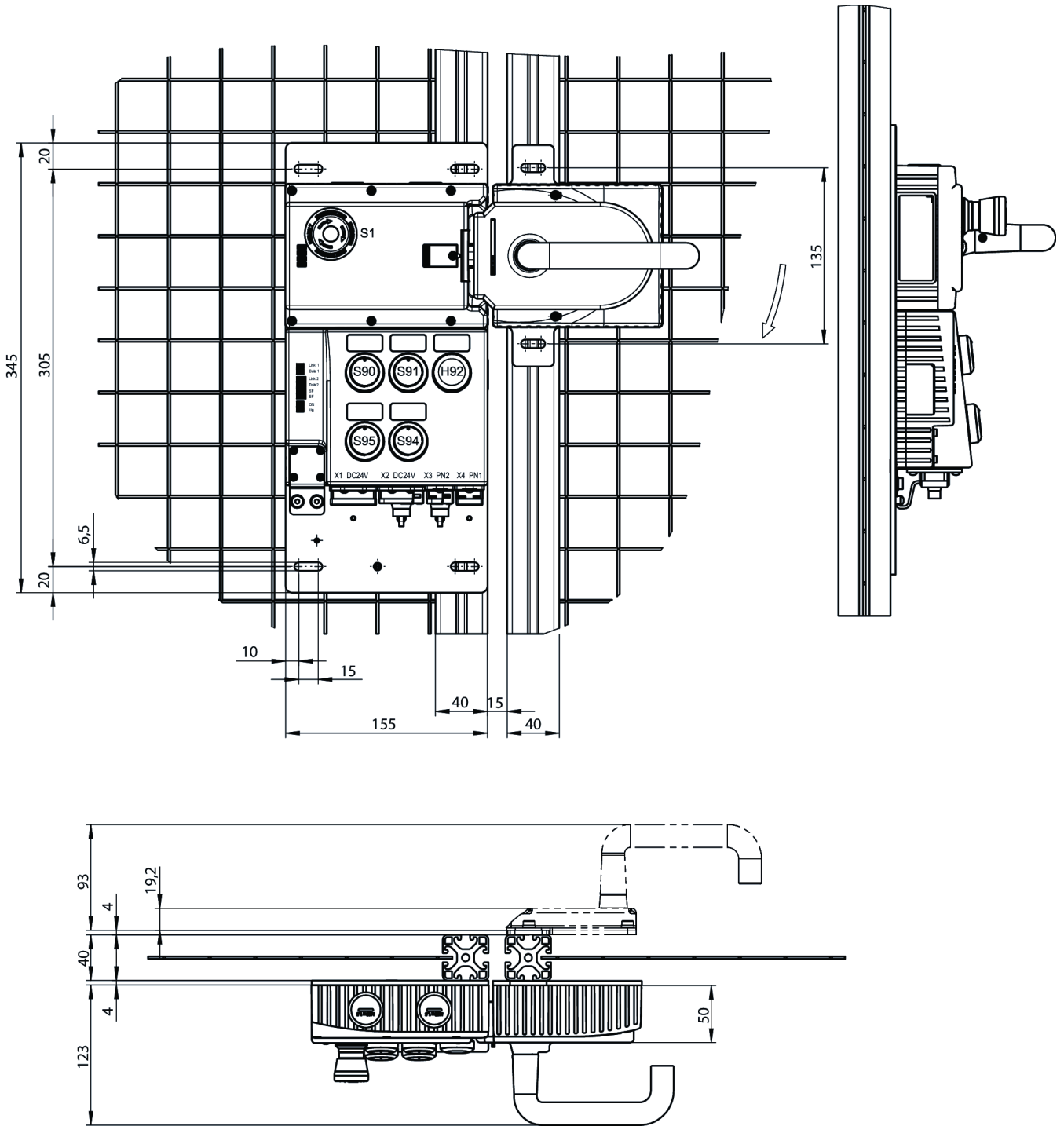
#### Flexible use as interlocking or guard locking

By means of the corresponding evaluation of the safe device data by the control system, use can be as either interlocking or guard locking (with or without monitoring).

#### Emergency stop illuminated

Emergency stop with illumination that can be controlled as required.

## Dimensional drawings



## Components



### 113990

MGB-L2B-PNA-L-113990

Evaluation module and bus module MGB-L2...-PN... (guard locking by solenoid force) with 6 controls or indicators, push-pull plug

- ▶ Guard locking with guard lock monitoring
- ▶ Emergency stop according to ISO 13850, illuminated
- ▶ 2 illuminated pushbuttons
- ▶ 2 pushbutton, not illuminated
- ▶ 1 indicator
- ▶ including adhesive labels
- ▶ Push-pull plug
- ▶ Pre-assembled on mounting plates
- ▶ Integrated Profinet RT switch
- ▶ Unicode



### 106221

MGB-H-AA1A2-L-106221

Handle module MGB-H-...

- ▶ Intelligent bolt tongue
- ▶ Lockout mechanism
- ▶ Door handle
- ▶ Mounting plate