

ZSA1A2S05A (Order no. 094321)

ZSA, 2-stage with cable

- ▶ Housing G1
- ▶ 2-stage function
- ▶ Coiled connecting cable, 5 m



Switching element

21 2 NO + 1 NC

Cable

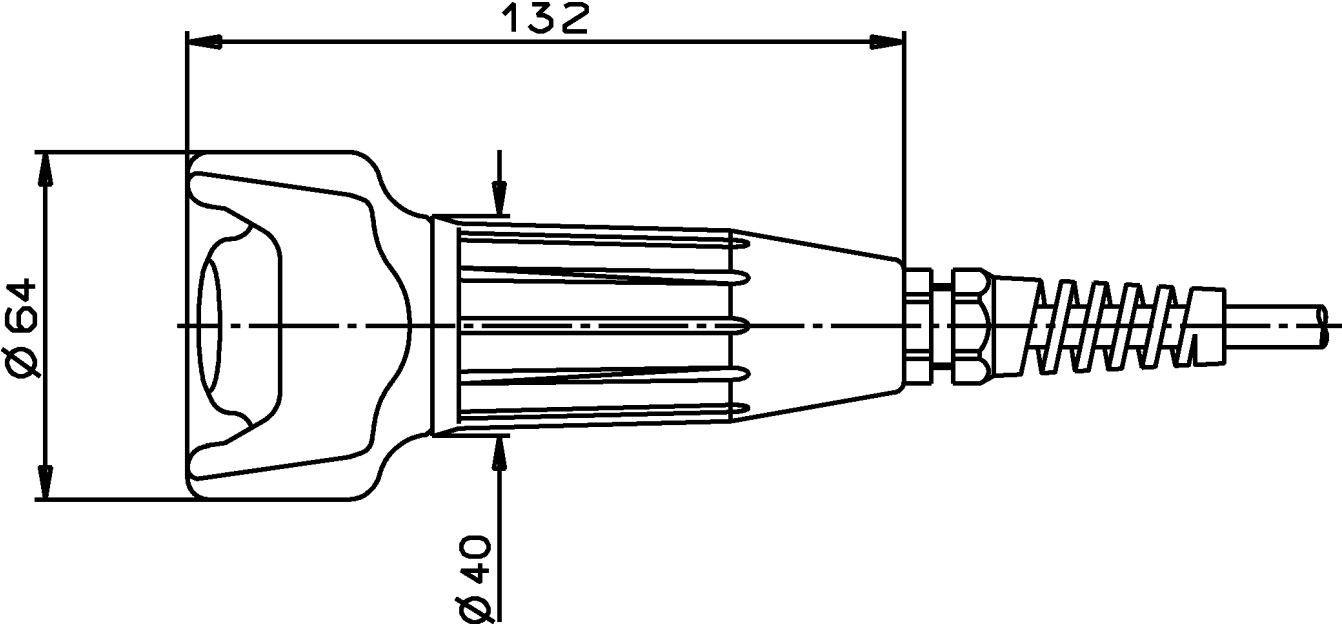
The high quality connecting cables (individual screening of the safety contacts) are available coiled.

2-stage function

Enabling function is active in the second stage (pressed position). When the button is released, the enabling is removed (see function sequence).

As per VDI 2854, a device comparable to an EMERGENCY STOP device must be fitted!

Dimensional drawings



Connection examples

