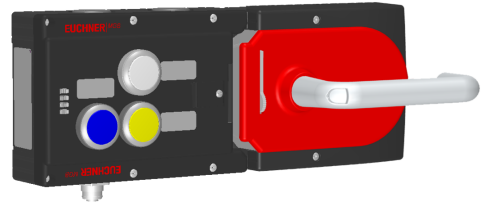


MGB-L2H-APA-R-110548 (Order no. 110548)

Locking set MGB-L2H-APA... (guard locking by solenoid force) with 3 pushbuttons, incl. label carrier, M12 for enabling switch

- ▶ Guard locking with guard lock monitoring
- ▶ 3 pushbuttons (illuminated, wh, ye, bu)
- ▶ incl. adhesive labels
- ▶ With cable entry
- ▶ With plug connector M12 for enabling switch
- ▶ Unicode



Guard locking type

MGB- The locking arm is held in the locked position by solenoid force and is unlocked by spring force
L2... when the solenoid is switched off (open-circuit current principle, electrically locked).

Door hinge

A mechanical door stop is permanently integrated into the evaluation module of the MGB. A marking on the stop makes adjustment easier.

LED indicator

The LED indicator indicates all important system and status information.

Monitoring outputs

- OD ON when the door is closed
- OT Bolt tongue inserted into the evaluation module
- OL Guard locking solenoid in locked position
- OI Diagnostics; there is a fault

Pushbuttons

- S2 1 NO contact, white, illuminated
- S3 1 NO contact, yellow, illuminated
- S4 1 NO contact, blue, illuminated

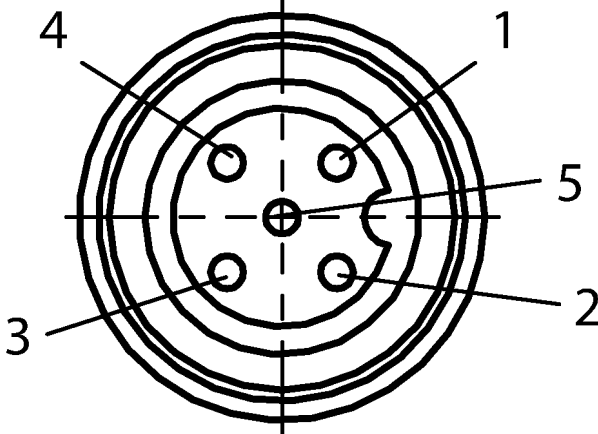
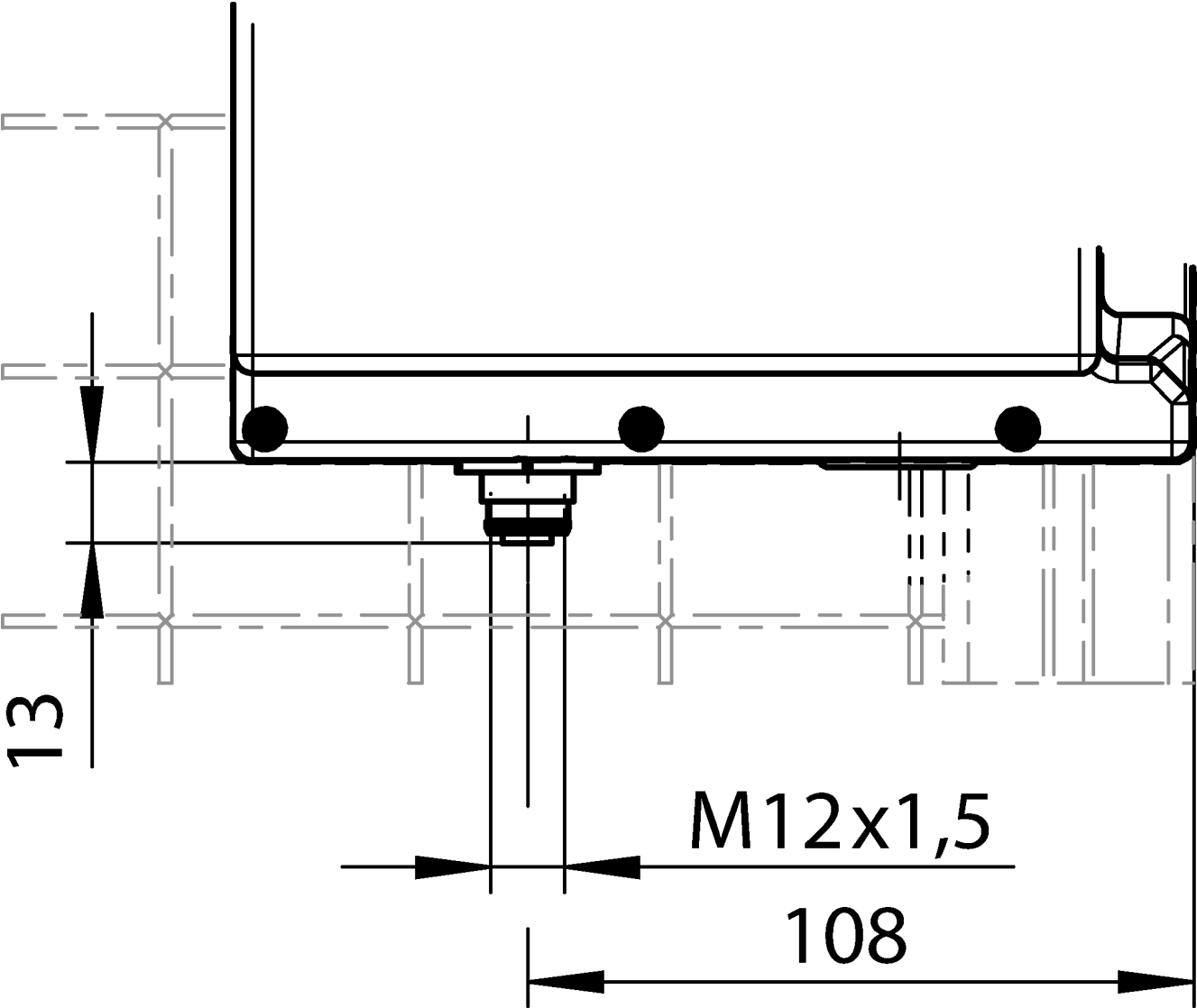
Connection for enabling switch

The device has an M12 plug connector for the direct connection of an enabling switch (e.g. ZSA, order no.: 110560).

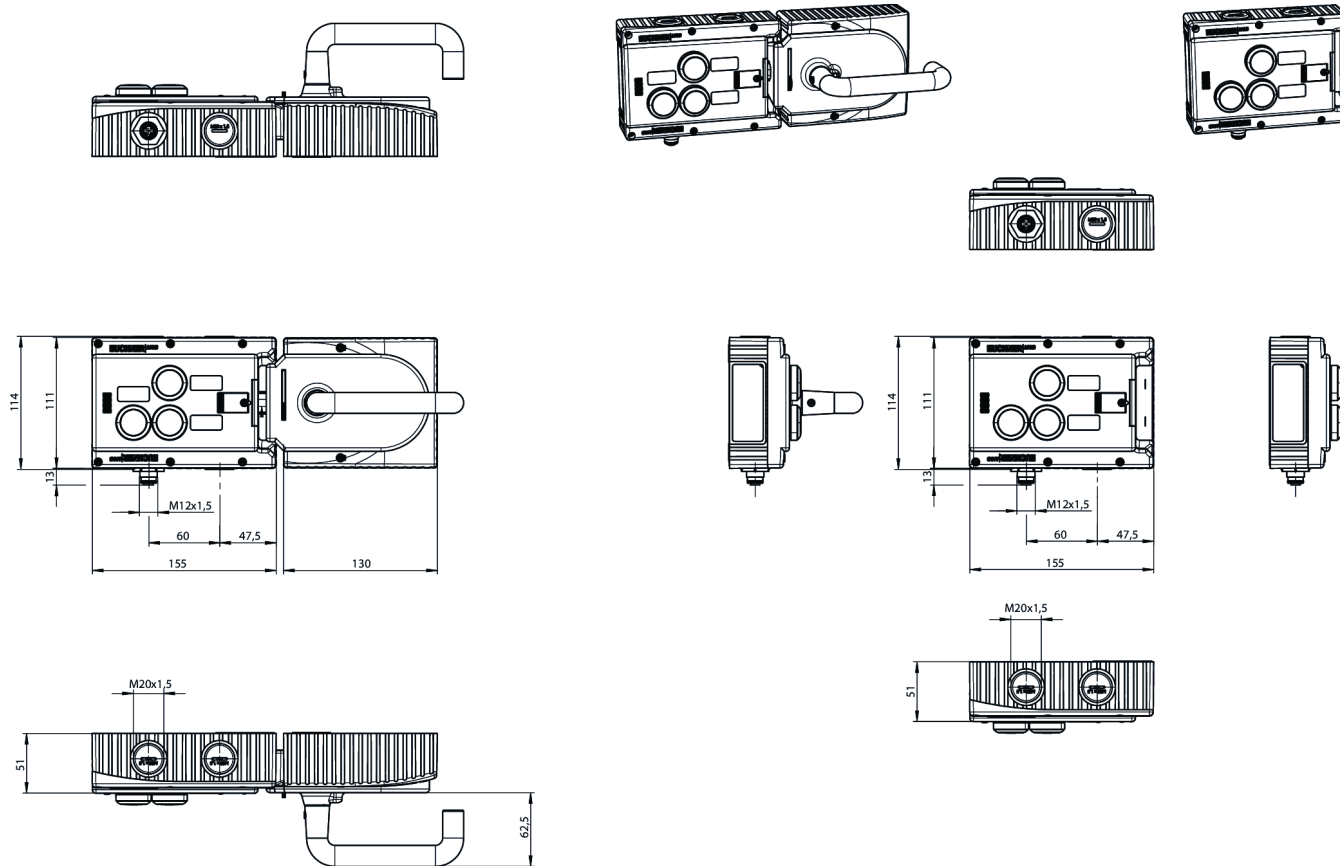
Adhesive labels

Devices with adhesive labels have pre-formed recesses. The adhesive labels enclosed (standard size 12.5 x 27 mm) can be affixed in these recesses.

Dimensional drawings



Dimensional drawings



Connection examples

