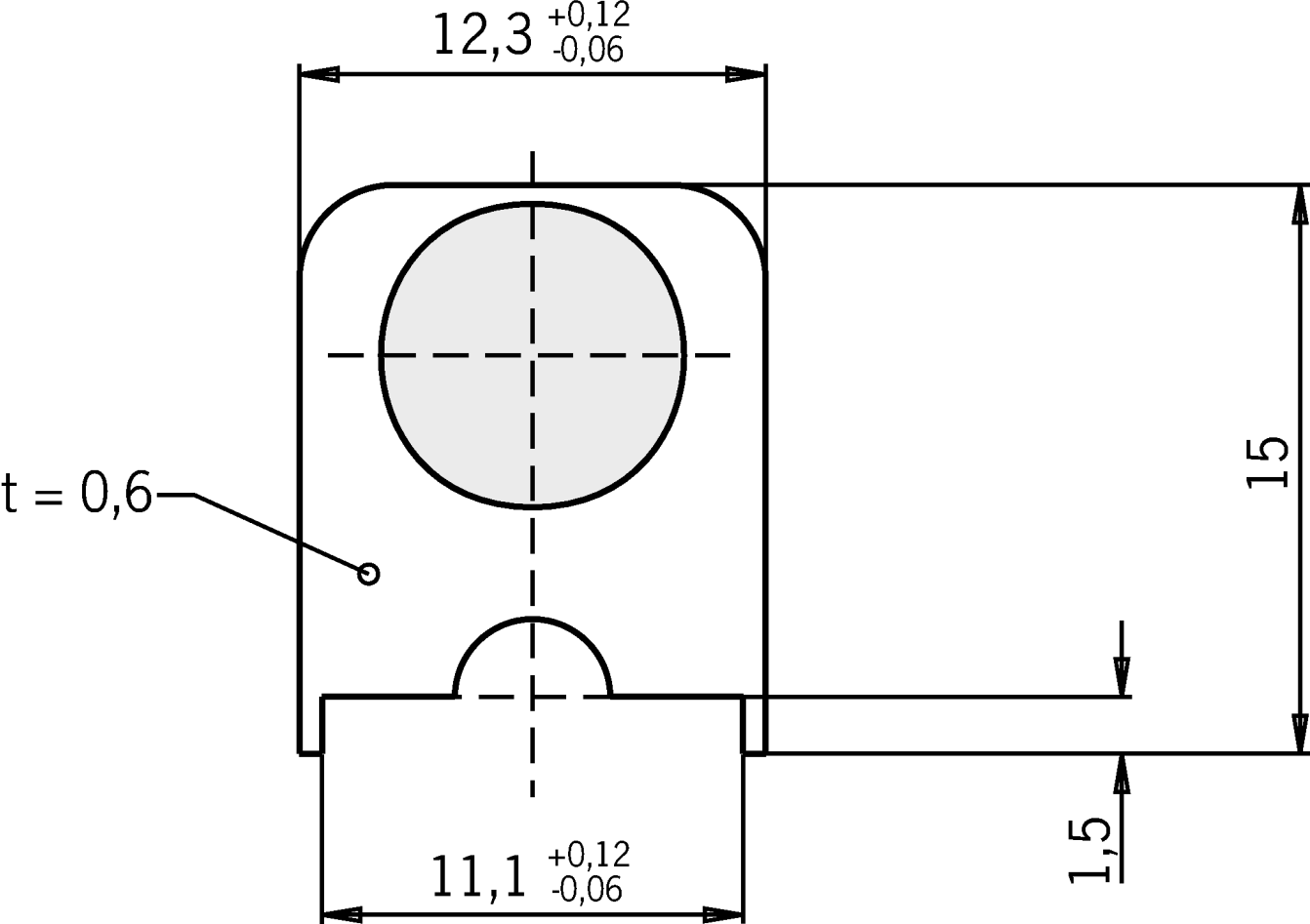


EINDREHWERKZEUG (Order no. 037662)**Insertion tool for actuator CES-A-BMB****Insertion tool**

With the aid of the insertion tool, the actuator CES-A-BMB (cylindrical design) can be screwed into a prepared M12 x 0.75 thread in the safety door.

Dimensional drawings



Technical data

Mechanical values and environment

Storage temperature	-25 ... 70 °C
Material	Stainless steel

Miscellaneous

Compatibility	CES-A-BMB
---------------	-----------