

NZ2RL-511 (Order no. 090025)

Safety switch NZ.RL, extended roller plunger, steel roller \varnothing 18 mm, plug connector SR6

- ▶ Extended roller plunger, steel roller \varnothing 18 mm
- ▶ SR6 plug connector; 6-pin + PE
- ▶ 1 pos. driven contact
- ▶ 1 NO contacts



Approach direction



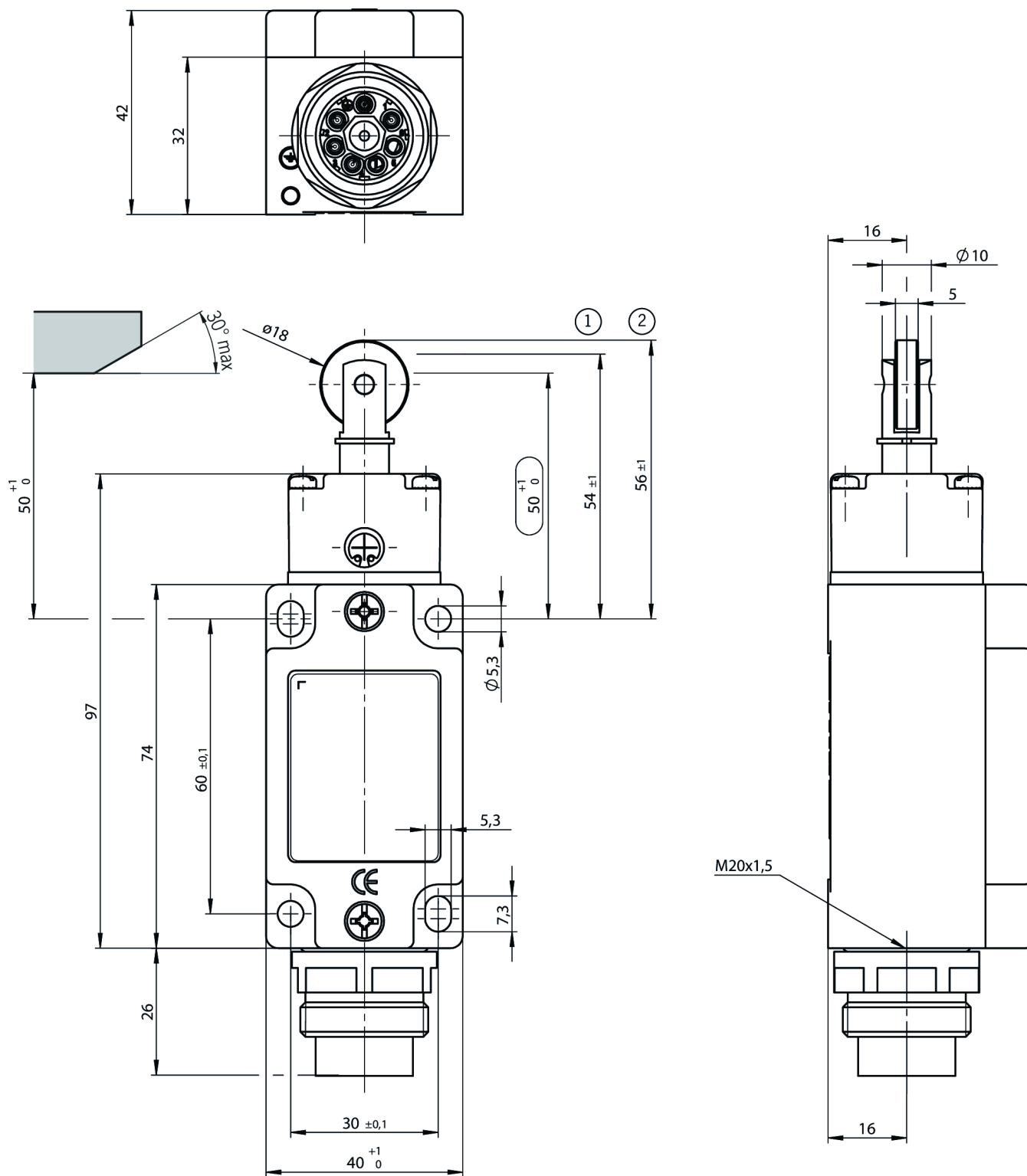
Horizontal

Can be adjusted in 90° steps

Switching element

511 Snap-action switching contact, 1 positively driven contact $\ominus \rightarrow$ + 1 NO contact

Dimensional drawings



1 Operating point

2 Free position

Connection examples

