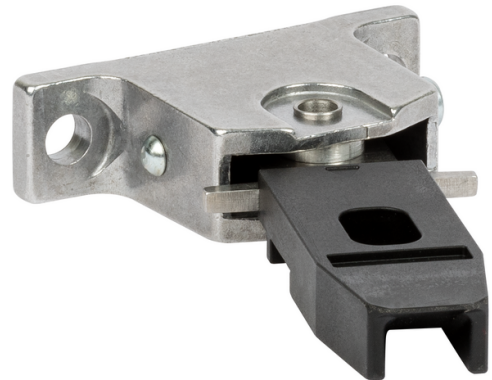


A-C-H-RR-LS-122672 (Order no. 122672)

Hinged actuator for safety switch CTP/CTA

- ▶ Hinged actuator for doors hinged on the right
- ▶ Two safety screws included



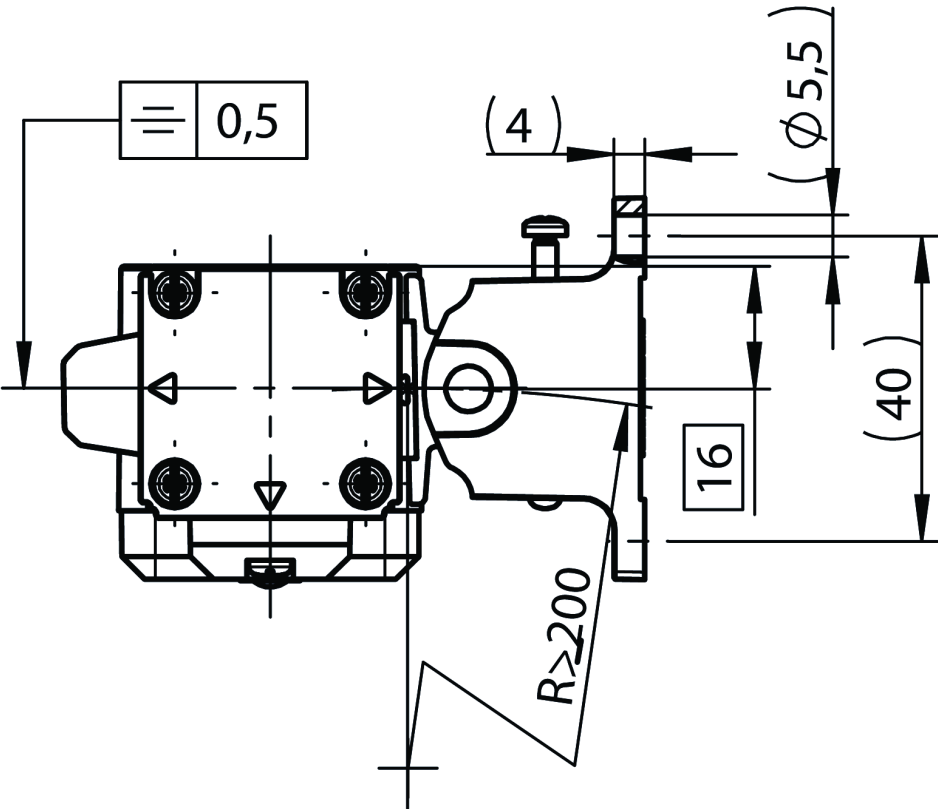
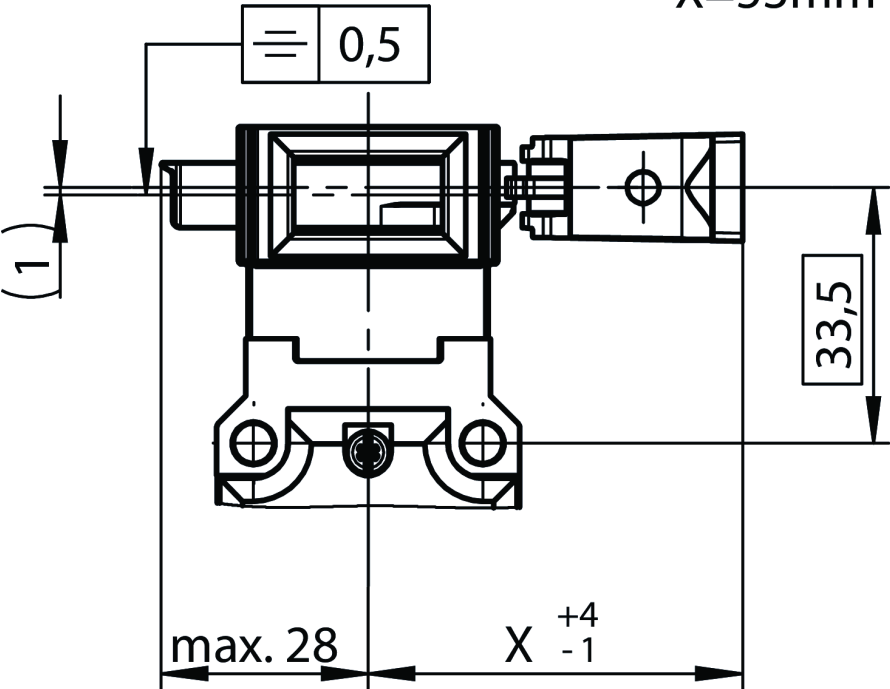
Hinged actuators

A hinged actuator should be used for small door radii. The spring action movement of the actuator prevents damage due to the actuator jamming in the actuator head. Depending on the movement of the guard, the actuator must be selected for left, right, top or bottom.

The safety screws included can be inserted with a normal tool, but cannot be removed again.

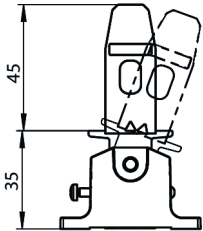
Dimensional drawings

X=53mm (122671, 122672)



Dimensional drawings

122672 A-C-H-RR-LS-122672



122671 A-C-H-RL-LS-122671

