

## MSC-CE-FI16-121292 (Order no. 121292)

### Expansion module MSC-CE

- ▶ Input expansion
- ▶ 16 single-channel / 8 dual-channel inputs
- ▶ Compact housing with width of only 22.5mm
- ▶ Simple diagnostics via LED displays



### Inputs and outputs

- ▶ 16 single-channel/8 dual-channel inputs
- ▶ 4 test outputs for monitoring for short circuits and overload states

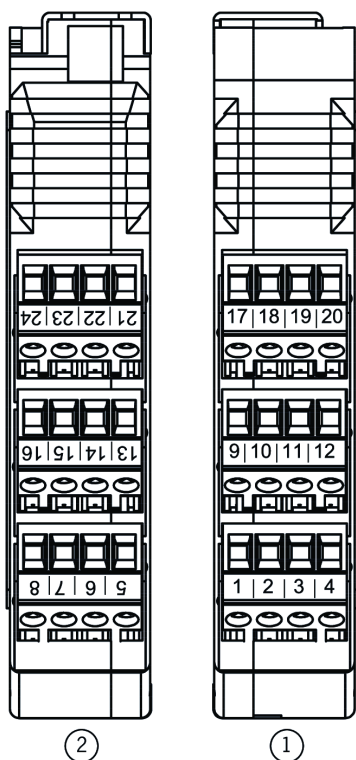
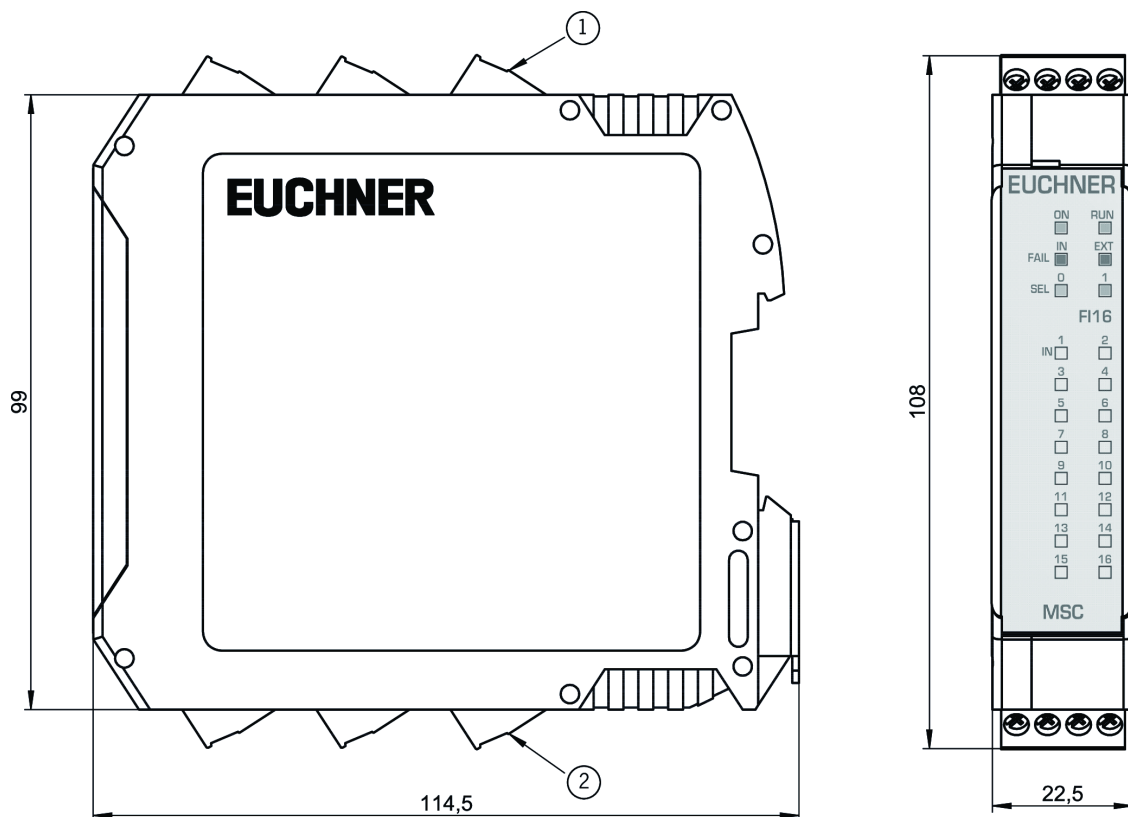
### Scope of delivery

- ▶ The expansion plug (order no. 121308) is included with the expansion module

### Accessories

- ▶ Plug-in screw terminals (order no. 121321) must be ordered separately

## Dimensional drawings



## Connection examples

