

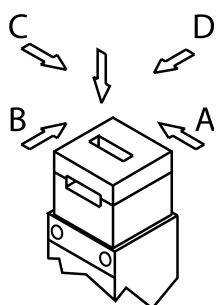
NX1-2131A-M (Order no. 092624)

Safety switch NX, cable entry M20 x 1.5

- ▶ 3x cable entry M20 x 1.5
- ▶ 3 pos. driven contact
- ▶ 1 NO contacts



Approach direction



Horizontal and vertical
Can be adjusted in 90° steps

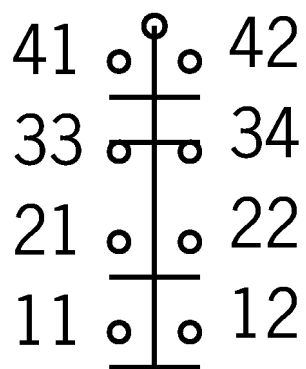
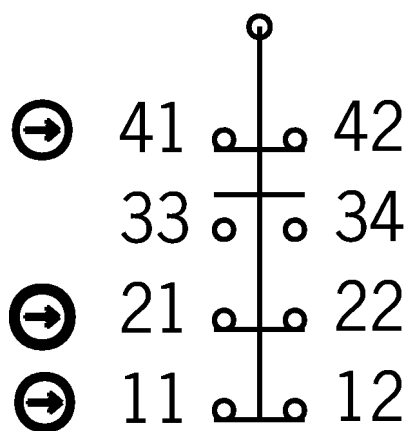
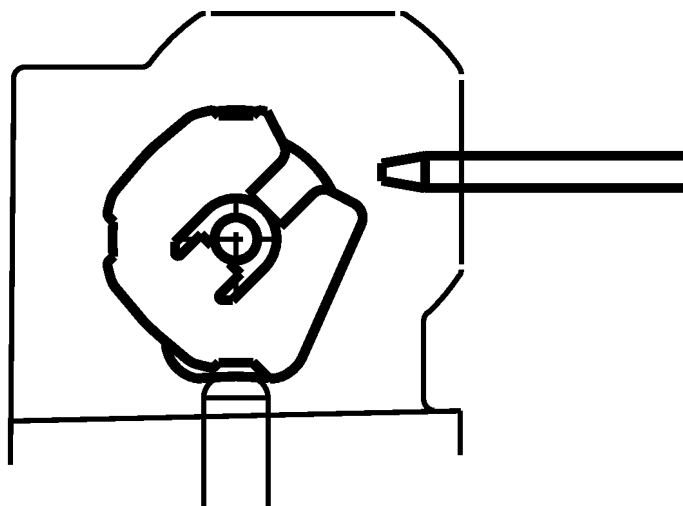
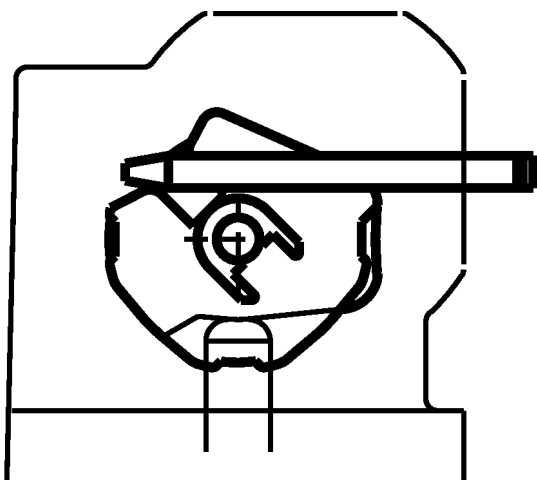
Switching element

2131 Slow-action switching contact 3 positively driven contacts \ominus + 1 NO contact

Accessories required

Actuator is not included.

Functional drawings



Dimensional drawings

