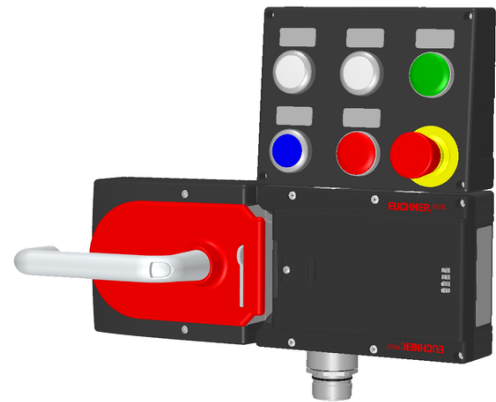


MGB-L0HC-ARA-L-110256 (Order no. 110256)

Interlocking set MGB-L0H-ARA..., with 3 pushbuttons, 2 indicators, emergency stop, incl. label carrier, RC26

- ▶ Interlocking (without guard locking)
- ▶ Can be connected in series with other AR devices (e.g. CES-AR and CET-AR)
- ▶ With control module MGB-C
- ▶ Emergency stop according to ISO 13850
- ▶ 3 pushbuttons (illuminated, wh, wh, bu)
- ▶ 2 indicators (illuminated, gn, rd)
- ▶ incl. adhesive labels
- ▶ With plug connector RC26
- ▶ Unicode



Guard locking type

MGB- The bolt tongue in the handle module is moved into and out of the interlocking module by L0... actuating the door handle. The door arm is not locked in the locked position.

Door hinge

A mechanical door stop is permanently integrated into the evaluation module of the MGB. A marking on the stop makes adjustment easier.

LED indicator

The LED indicator indicates all important system and status information.

Monitoring outputs

- OD ON when the door is closed
- OT Bolt tongue inserted into the evaluation module
- OI Diagnostics; there is a fault

Emergency stop device

S1 2 positively driven contacts and 1 NO contact (e.g. monitoring contact), emergency stop with turn-to-reset, not illuminated

Pushbuttons

- S10 1 NO contact, white, illuminated
- S11 1 NO contact, white, illuminated
- S15 1 NO contact, blue, illuminated

Indicators

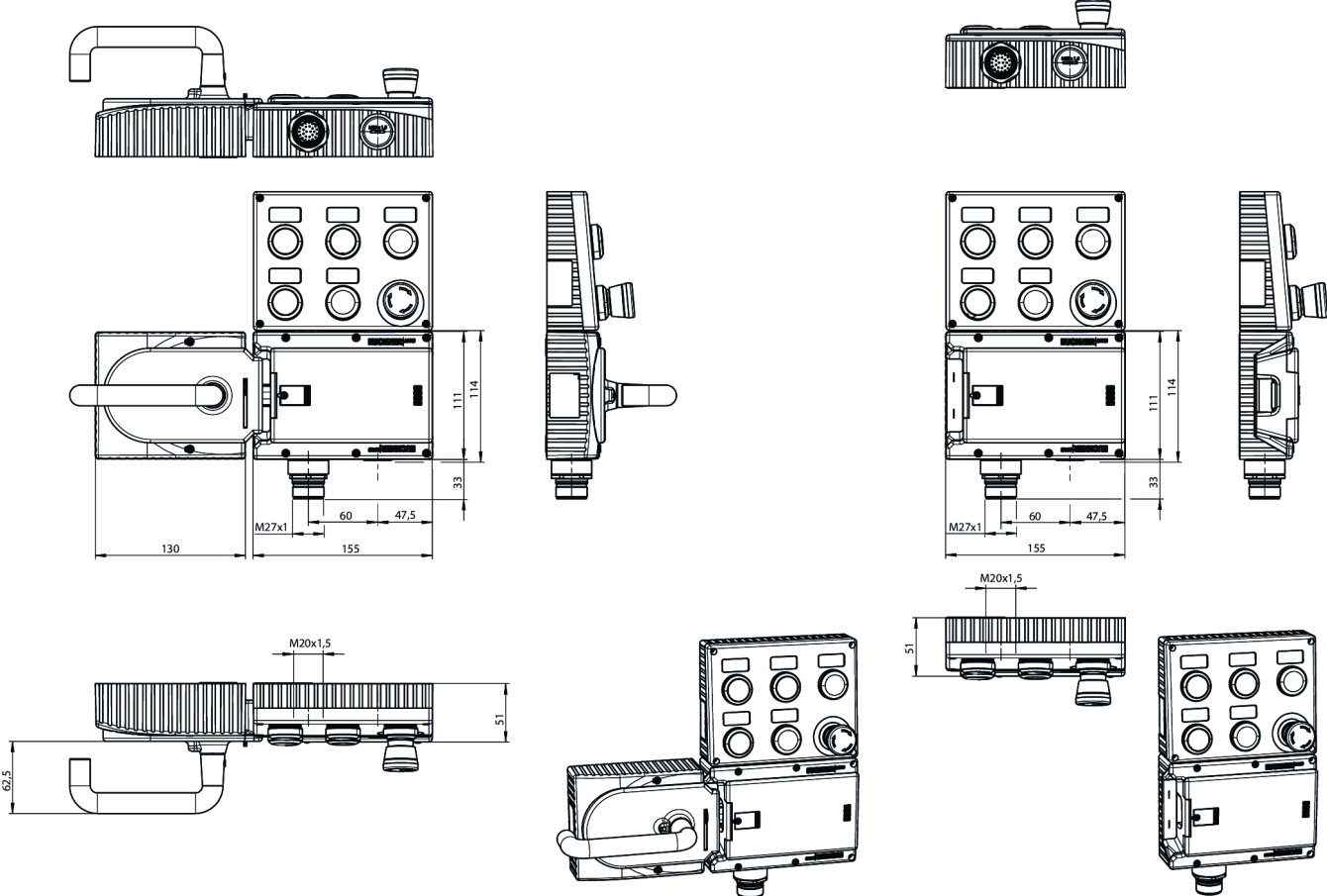
H12 LED, green

H14 LED, red

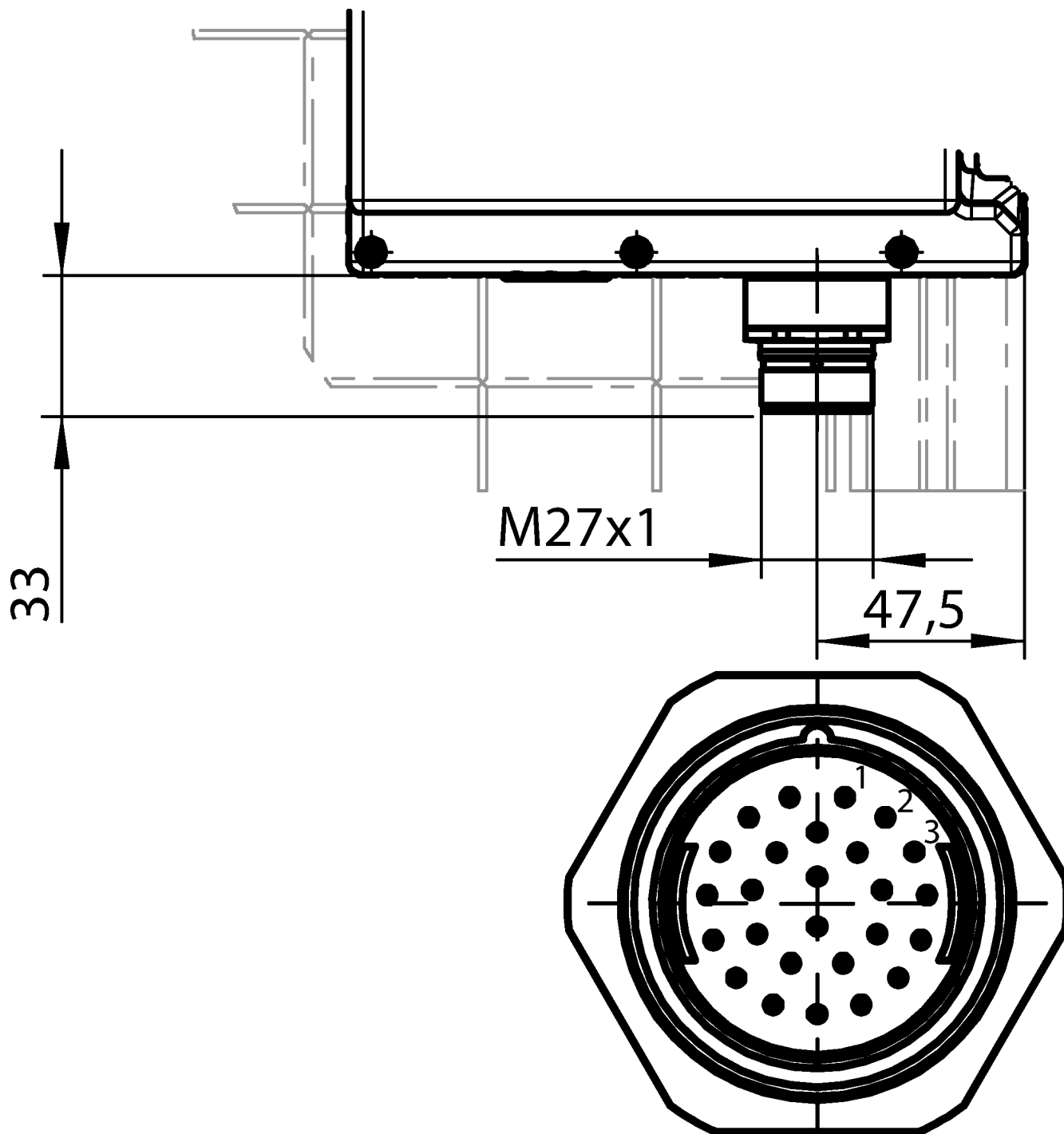
Adhesive labels

Devices with adhesive labels have pre-formed recesses. The adhesive labels enclosed (standard size 12.5 x 27 mm) can be affixed in these recesses.

Dimensional drawings



Dimensional drawings



Connection examples

