

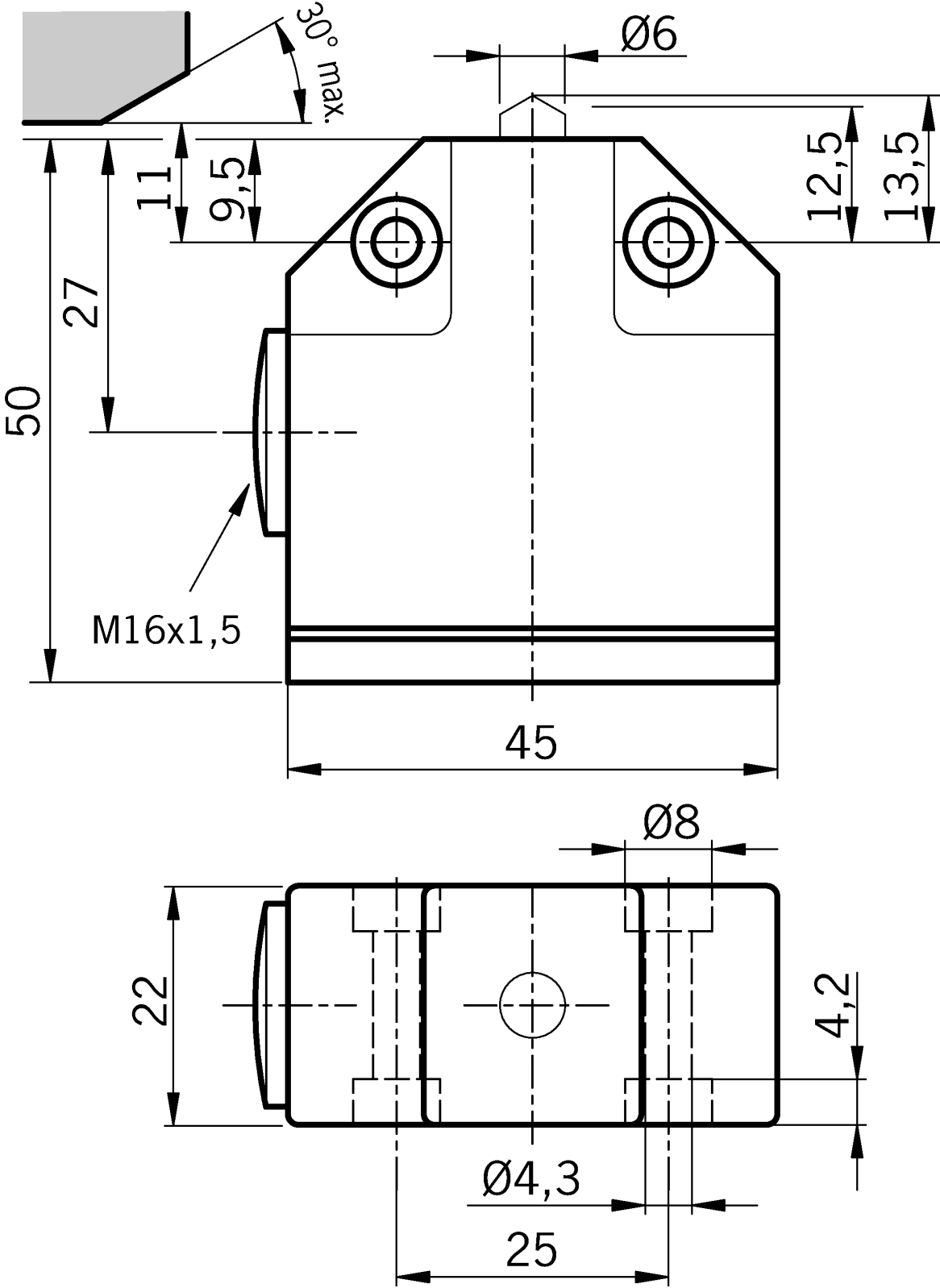
SN01D558-M (Order no. 085260)

Precision single limit switch SN01, chisel plunger

- ▶ Plunger material stainless steel



Dimensional drawings



Connection examples

