

MGB2-L1HB-PN-U-S3-CA-R-163576 (Order no. 163576)

Complete set MGB2-L1...-PN (2 pushbuttons, emergency stop, closed-circuit current principle, door hinge on right)

- ▶ Guard locking with guard lock monitoring
- ▶ Illuminated emergency stop according to ISO 13850
- ▶ 2 illuminated white pushbuttons with symbol
- ▶ Version with blanking cover
- ▶ Connection via plug connector RJ45, AIDA compliant
- ▶ Integrated switch
- ▶ Adjustable door hinge; factory setting: right
- ▶ Unicode



Guard locking type

MGB2- Guard locking by spring force. Release by applying voltage to the guard locking solenoid.
L1... (closed-circuit current principle)

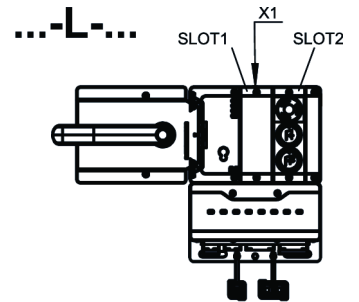
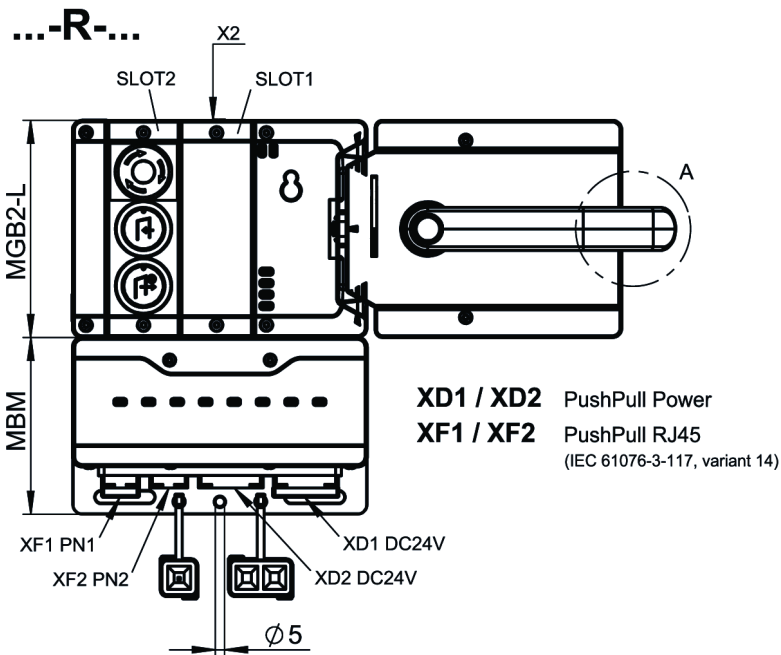
PROFINET connection

Plug connector RJ45 (push-pull plug according to IEC 61076-3-117, variant 14)

PROFINET switch

Linear topology network structure due to integrated switch (supports MRP).

Dimensional drawings



Dimensional drawings

